



Taylor Valve Technology

RB SERIES CONTROL CHOKE

Unique.

Precise.

Quality.

Reliable.



SINCE 1958



RB SERIES CONTROL VALVES

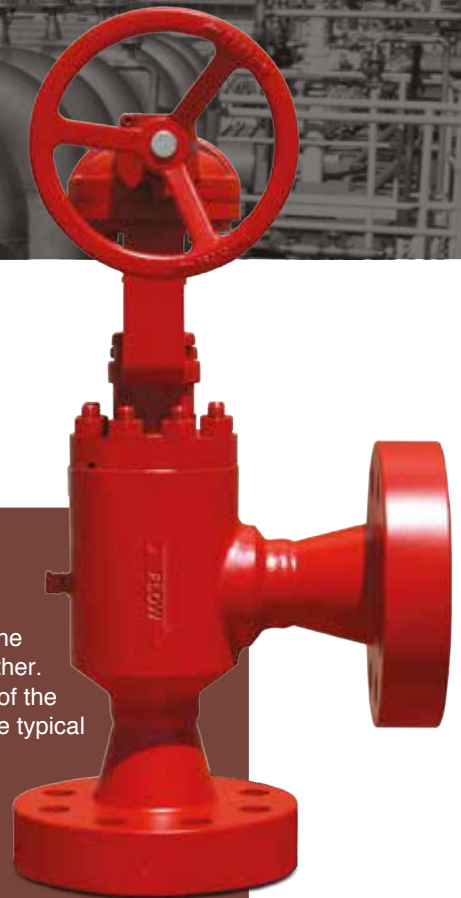
FEATURES & *Benefits*

The RB Series Control Valve features several unique design characteristics that minimize wear and maximize service life.

The nozzle and external sleeve trim is designed to contain turbulence and wear by managing the flow into the nozzle and centralizing it into bore causing the flow streams to impinge on each other. The valve body and outlet are protected from wear because the energy conversion as a result of the pressure drop is concentrated in the trim cavity before flow enters the outlet. This eliminates the typical wear problems in the valve outlet.

The Upstream and Downstream balanced sleeve design greatly reduces the breakaway and closing thrust requirements to lift the sleeve on and off seat as well as during stem travel making the control stable and precise yielding better accuracy and repeatability.

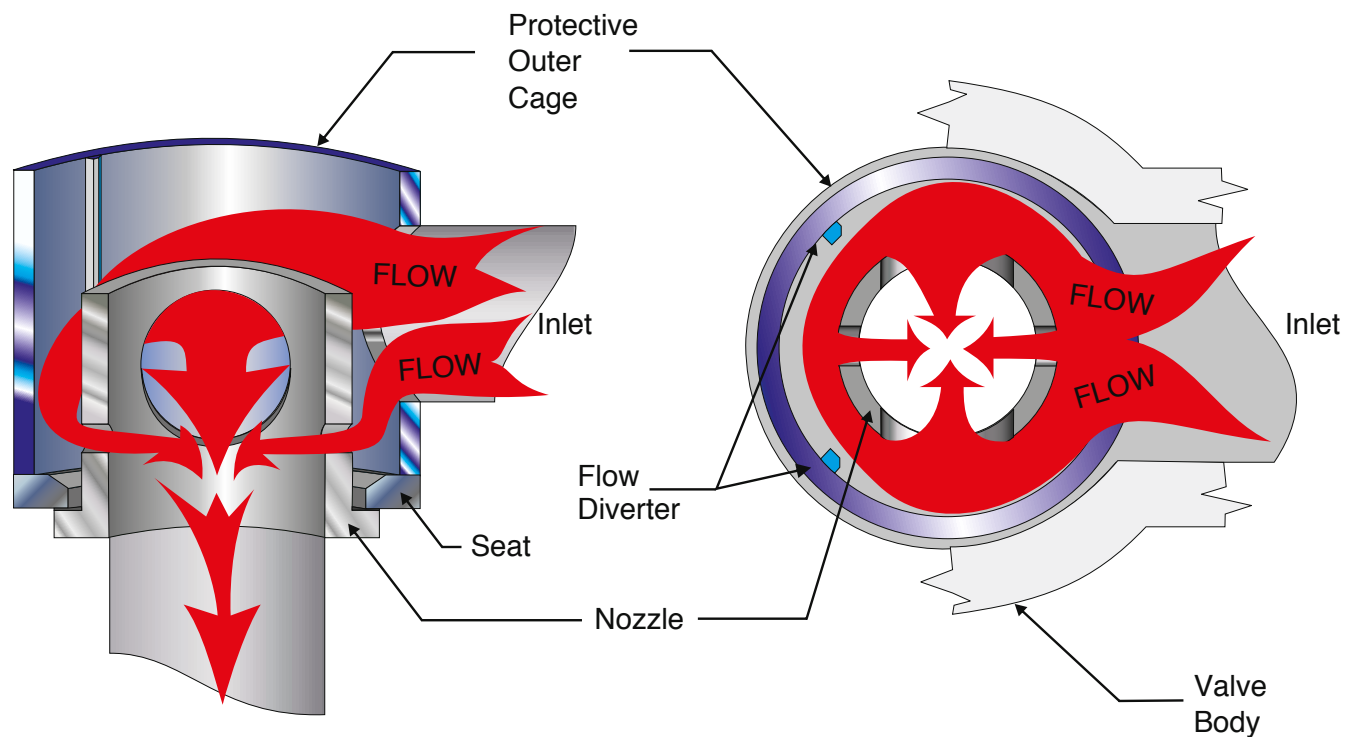
- **Accurate Control** - Multi-Orifice Nozzle design provides precise control over a wide range of flows.
- **Bolted Bonnet** - A bolted bonnet prevents corrosion, cross-threading and galling of large threaded connections. The design allows for simple assembly and disassembly.
- **Extended Mean Time Between Service** - Robust design, application of hardened materials, and efficient flow geometry results in maximum production potential and minimum service requirements.
- **Easy Maintenance** - All Control Choke Valves are designed with special actuator mounting systems so the choke can be maintained without disassembly of the actuator and components or instrument connections.
- **High Turndown Ratio** - Clean flow geometry, high capacity and accurate control means the valve is suitable for both start-up and end-of field-life-process scenarios. In short, our control choke valves offer a one-valve solution for the full process life.
- **Optional Features** - Control Valves can have trims and actuators custom designed for specific requirements. Such as special noise reduction trims, reduced port and maximum orifice trims for very high pressure or minimum pressure loss for a declining field.



Applications:

- Well Site Automated and Manual Application
- Water Injection Control Valve
- CO2 Injection Control Valve
- High Pressure Drop Applications
- Gas Lift Injection Control

Dynamic Energy Conversion



Side view of the fluid flow through the valve

Flow converging in the center of the nozzle

When the valve is open and flow enters through the inlet of the valve into the protective cage, it is circulated around the annulus created by the cage, nozzle and sleeve assembly. The symmetry of the ports in the nozzle cause the high velocity fluid streams created by the pressure drop to collide into each other in the center of the trim. The impact of the streams converts the energy and protects the downstream components from damage.

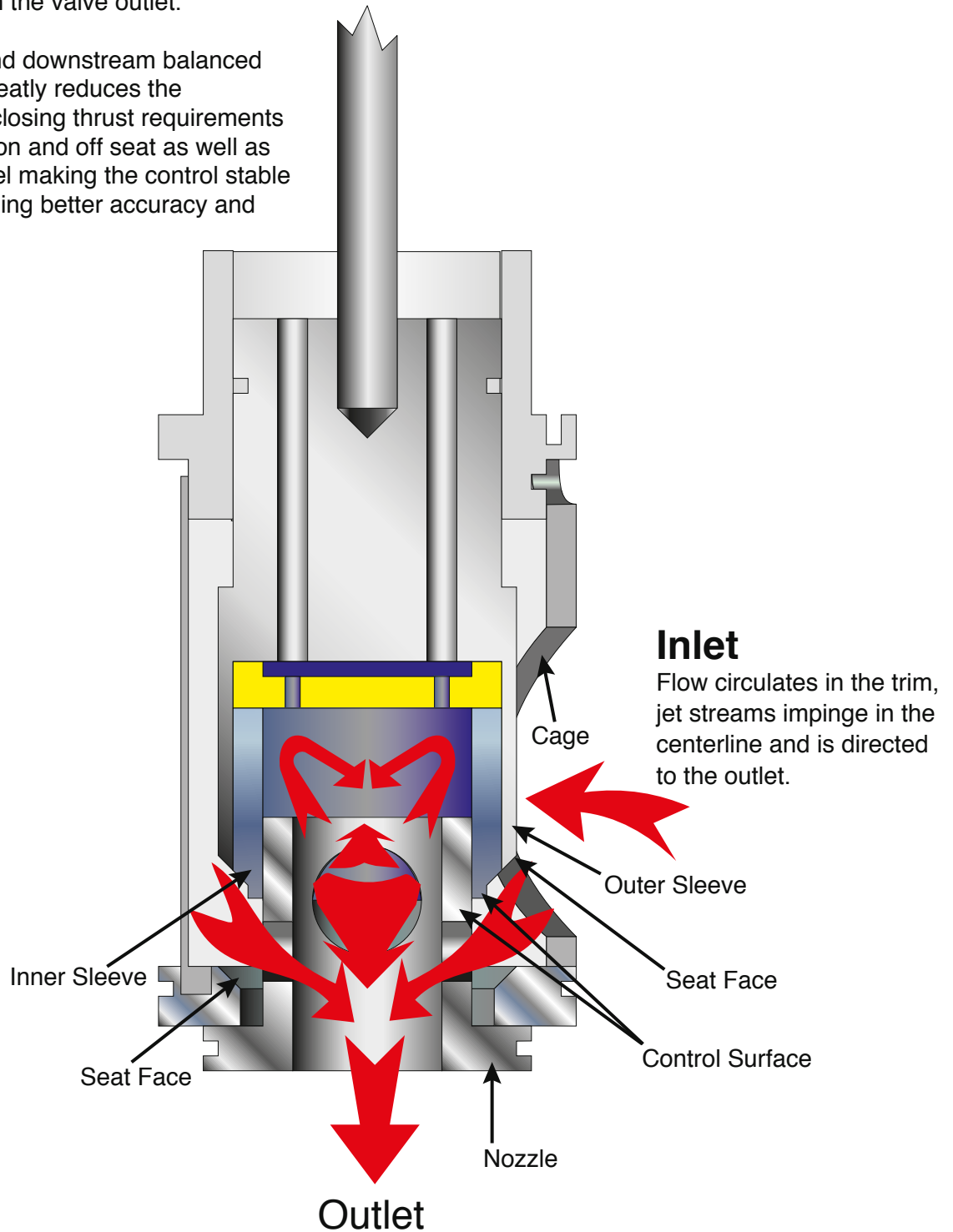
Multi-Orifice Nozzle Technology

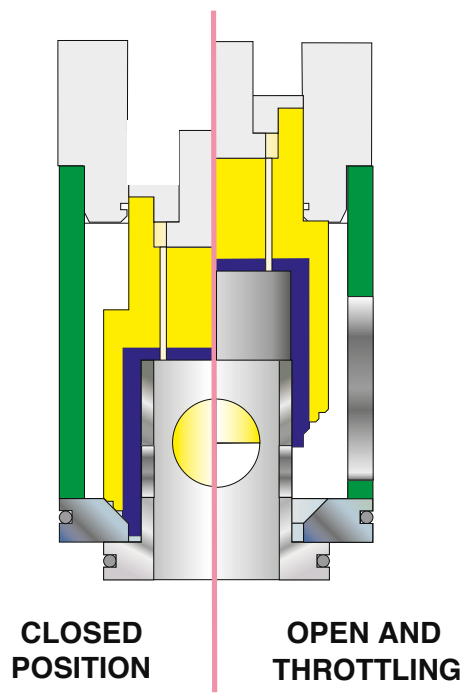
Control Element

The RB Series valve features several unique design characteristics that minimize wear and maximize service life.

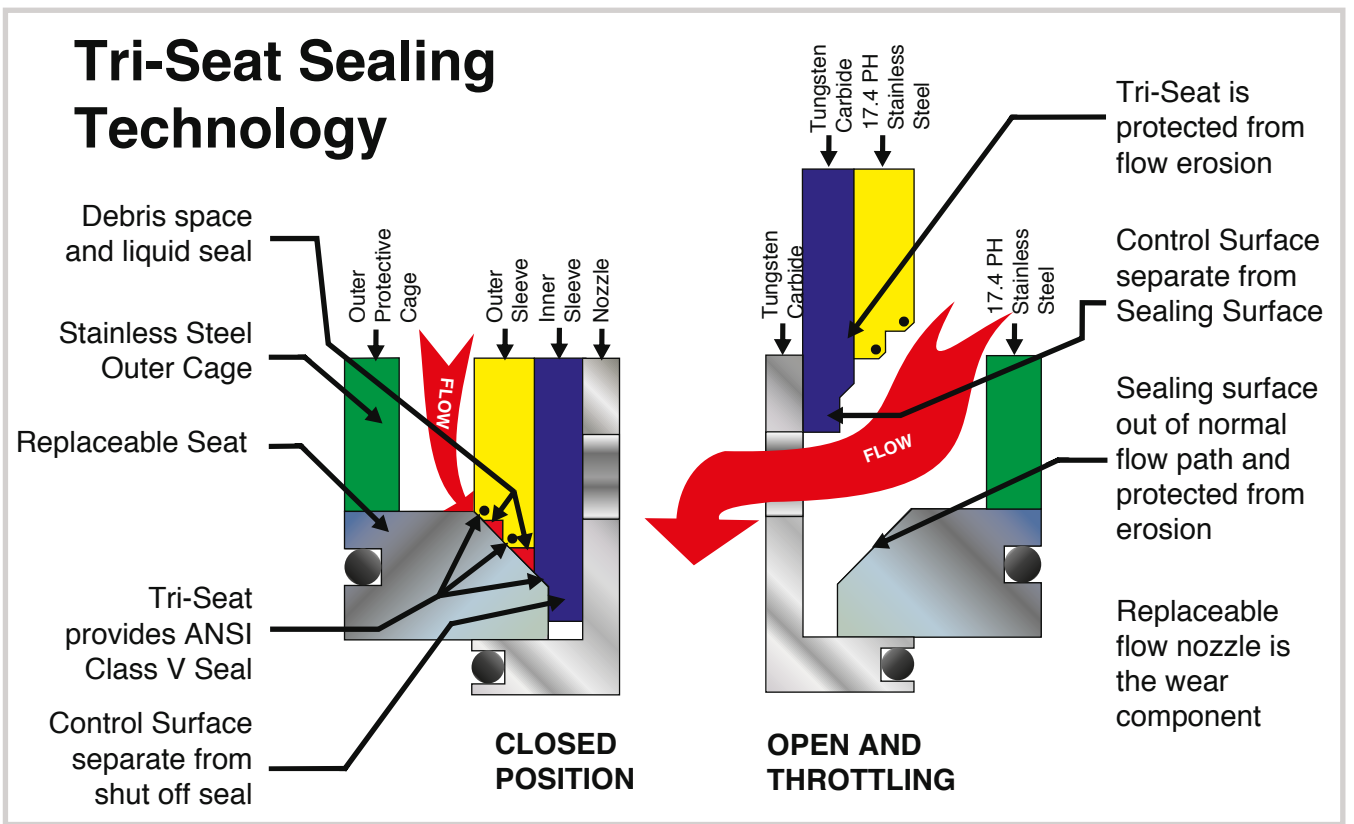
The nozzle and external sleeve trim is designed to contain turbulence and wear by managing the flow into the nozzle and centralizing it into bore causing the flow streams to impinge on each other. The valve body and outlet are protected from wear because the energy conversion as a result of the pressure drop is concentrated in the trim cavity before flow enters the outlet. This eliminates the typical wear problems in the valve outlet.

The upstream and downstream balanced sleeve design greatly reduces the breakaway and closing thrust requirements to lift the sleeve on and off seat as well as during stem travel making the control stable and precise yielding better accuracy and repeatability.



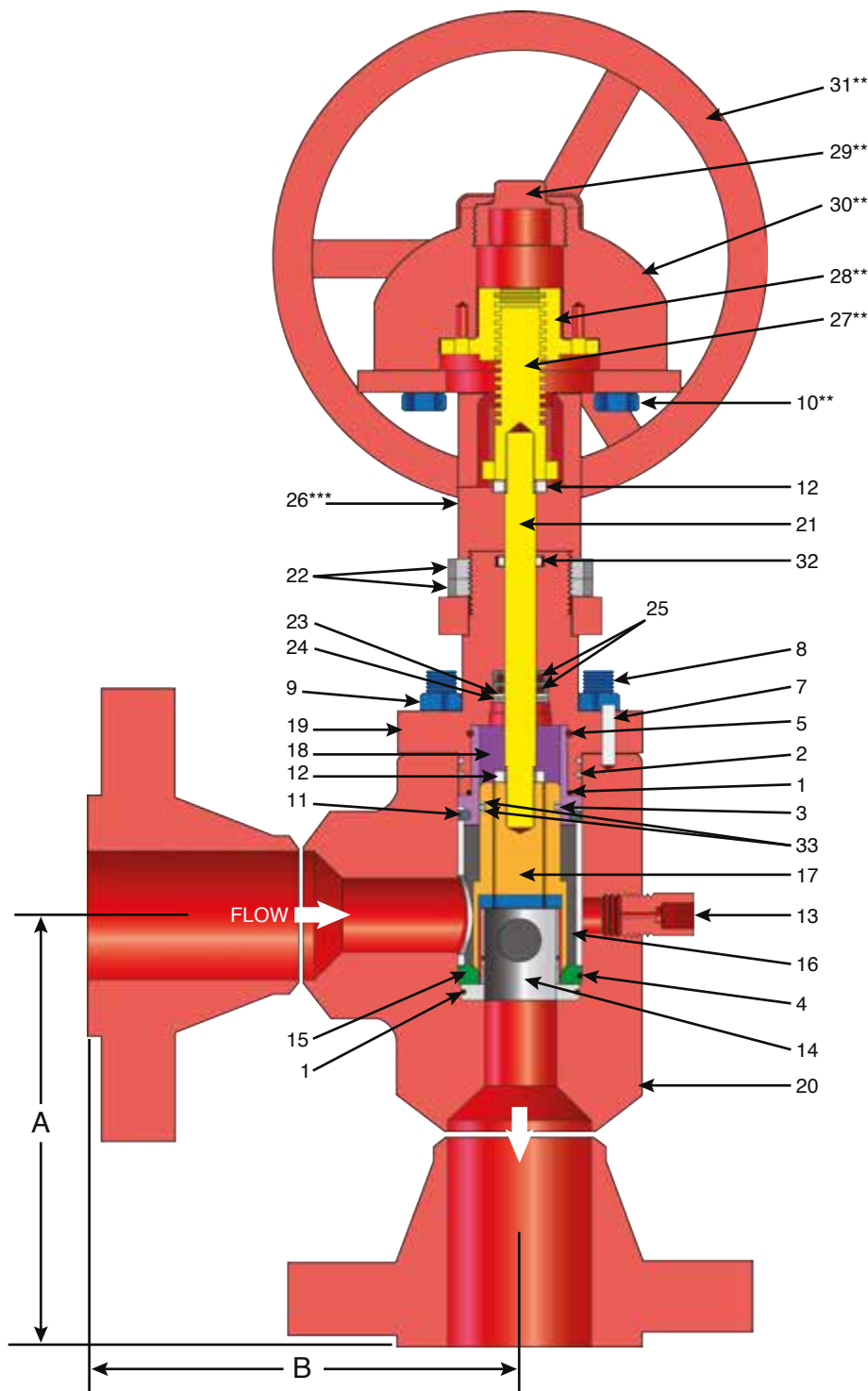
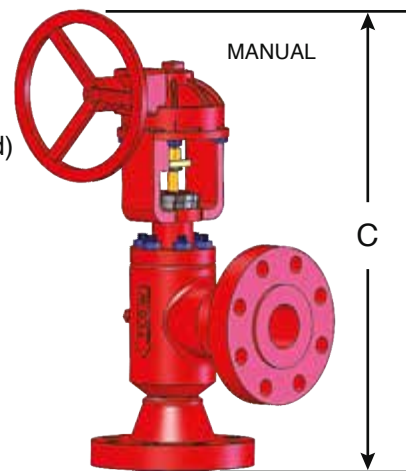


The Trim configuration has been field-tested and proven to deliver superior wear resistance and performance. The trim controls high velocity fluid during pressure reduction by directing the flow to the center of the flow nozzle. The Erosive Energy is contained within the expendable trim components away from the valve wall which is additionally protected by a replaceable sleeve, reducing the potential for release of fluids to the environment. The seat and Tri-seating surfaces on the sleeve are separate from the controlling surfaces and out of the flow path to maintain an ANSI class V shut off.



RB2 Cutaway View

RB2 Control Choke
 Cv = 6, 12, 35 (Standard)
 Bean Size = 78 / 64th's (Standard)
 Stroke Length = 1.25"
 Stem Diameter = 0.625"
 MAWP = 10,000 PSIG



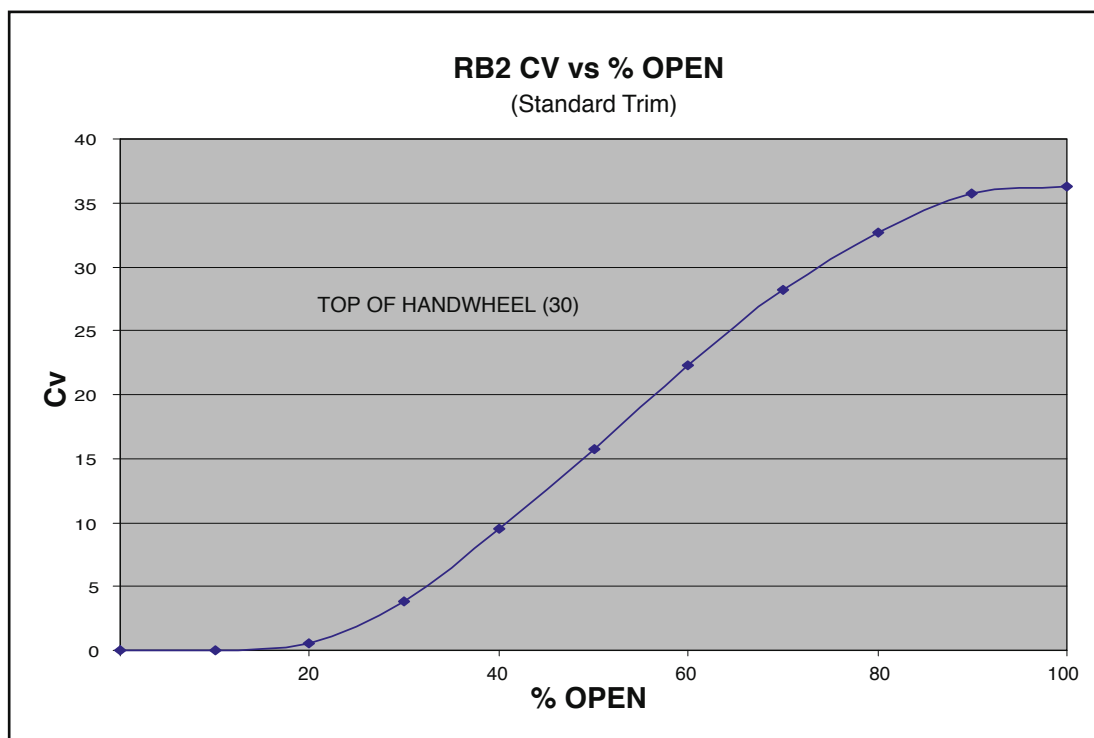
| ITEM | DESCRIPTION | QTY |
|-------|--------------------------|-----|
| 1 | O-RING 2-032 | 2 |
| 2 | O-RING 2-228 | 2 |
| 3 | O-RING 2-221 | 1 |
| 4 | O-RING 2-140 | 1 |
| 5 | O-RING 2-135 | 1 |
| 6* | DOWEL PIN | 2 |
| 7 | DOWEL PIN | 1 |
| 8 | STUD | 6 |
| 9 | HEX NUT | 6 |
| 10** | HEX BOLT | 4 |
| 11* | SET SCREW | 2 |
| 12 | HEX NUT (Lock Nut) | 2 |
| 13 | VENT VALVE | 1 |
| 14 | NOZZLE | 1 |
| 15 | SEAT | 1 |
| 16 | CAGE | 1 |
| 17 | EXTERNAL SLEEVE ASSEMBLY | 1 |
| 18 | EXTERNAL SLEEVE GUIDE | 1 |
| 19 | BONNET | 1 |
| 20 | BODY/FLANGE WELDMENT | 1 |
| 21 | STEM | 1 |
| 22 | YOKE LOCK NUT | 2 |
| 23 | WASHER | 1 |
| 24 | SNAP RING | 1 |
| 25 | U-CUP SEALS | 1 |
| 26*** | YOKE | 1 |
| 27** | ANTI-ROTATIONAL DEVICE | 1 |
| 28** | STEM ADAPTER | 1 |
| 29** | PIPE PLUG | 1 |
| 30** | DIAMOND GEAR ACTUATOR | 1 |
| 31** | HANDWHEEL | 1 |
| 32 | WIPER SEAL (Dust Cap) | 1 |
| 33 | BACK UP RINGS | 2 |

*Item not visible in sectioned view
 **Parts not included on actuator
 ***Optional depending on actuator type
 (Contact TVT for information)

RB2 Dimensions and Weights

| CONNECTIONS | | DIMENSIONS - IN. (MM.) | | | WEIGHT | |
|-------------------|-------------------|------------------------|-------------|---------------|--------|-----|
| INLET | OUTLET | "A" | "B" | "C" | LB. | KG. |
| 2" BW | 2" BW | 4.50 (114) | 4.50 (114) | 23.10 (587) | 80 | 36 |
| 2" 300 RFF | 2" 300 RFF | 7.25 (184) | 7.25 (184) | 25.85 (657) | 96 | 44 |
| 2" 600 RFF | 2" 600 RFF | 7.62 (194) | 7.62 (194) | 26.22 (666) | 100 | 45 |
| 2" 600 RTJ | 2" 600 RTJ | 7.69 (195) | 7.69 (195) | 26.29 (668) | 100 | 45 |
| 2" 900/1500 RTJ | 2" 900/1500 RTJ | 8.81 (223) | 8.81 (223) | 27.41 (696) | 128 | 58 |
| 2" 2500 RTJ | 2" 2500 RTJ | 9.81 (249) | 9.81 (249) | 28.41 (722) | 164 | 74 |
| 3" BW | 3" BW | 4.50 (114) | 4.50 (114) | 23.10 (587) | 80 | 36 |
| 3" 300 RFF | 3" 300 RFF | 7.63 (194) | 7.63 (194) | 26.23 (666) | 110 | 50 |
| 3" 600 RFF | 3" 600 RFF | 8.00 (203) | 8.00 (203) | 26.60 (676) | 126 | 57 |
| 3" 900 RTJ | 3" 900 RTJ | 8.81 (224) | 8.81 (224) | 27.41 (696) | 138 | 63 |
| 3" 1500 RFF | 3" 1500 RFF | 9.38 (238) | 9.38 (238) | 27.98 (711) | 176 | 80 |
| 3" 1500 RTJ | 3" 1500 RTJ | 9.44 (240) | 9.44 (240) | 28.04 (712) | 176 | 80 |
| 3" 2500 RTJ | 3" 2500 RTJ | 11.44 (290) | 11.44 (290) | 30.04 (763) | 268 | 122 |
| 2-1/16" API 5000 | 2-1/16" API 5000 | 8.81 (224) | 8.81 (224) | 27.41 (696) | 128 | 58 |
| 2-1/16" API 10000 | 2-1/16" API 10000 | 9.01 (229) | 9.01 (229) | 27.61 (701) | 122 | 55 |
| 2-1/16" API 15000 | 2-1/16" API 15000 | 9.01 (229) | 9.01 (229) | 27.61 (701) | 122 | 55 |
| 2-9/16" API 5000 | 2-9/16" API 5000 | 8.94 (227) | 8.94 (227) | 27.54 (700) | 154 | 70 |
| 2-9/16" API 10000 | 2-9/16" API 10000 | 9.52 (242) | 9.52 (242) | 28.12 (714) | 150 | 68 |
| 2-9/16" API 15000 | 2-9/16" API 15000 | 9.52 (242) | 9.52 (242) | 28.12 (714) | 150 | 68 |
| 3-1/8" API 5000 | 3-1/8" API 5000 | 9.44 (240) | 9.44 (240) | 28.04 (712) | 176 | 80 |
| 3-1/8" API 10000 | 3-1/8" API 10000 | 9.52 (242) | 9.52 (242) | 28.12 (714) | 243 | 110 |
| 3-1/8" API 15000 | 3-1/8" API 15000 | 9.52 (242) | 9.52 (242) | 20.5.12 (521) | 496 | 225 |

ALL DIMENSIONS ARE +/- .10"

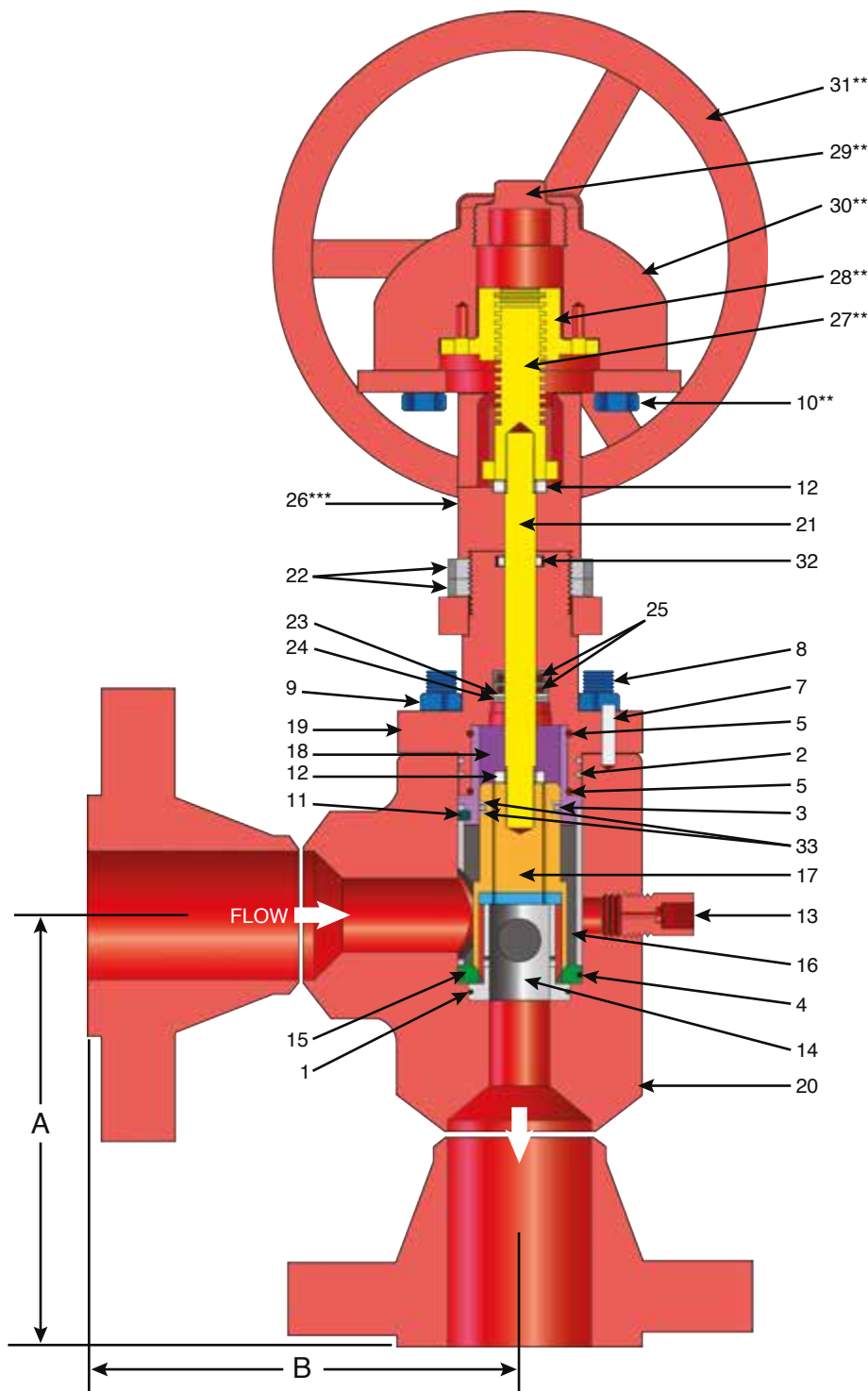
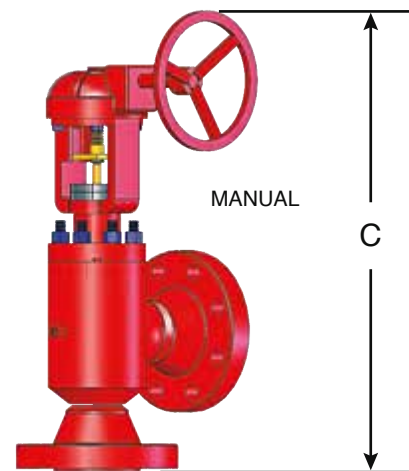


NOTE: Taylor Valve reserves the right to change product designs and specifications without notice.

RB3 Cutaway View

RB3 Control Choke

Cv = 35, 64 (Standard)
 Bean Size = 105 / 64th's
 Stroke Length = 1.75"
 Stem Diameter = 0.625"
 MAWP = 6,000 PSIG



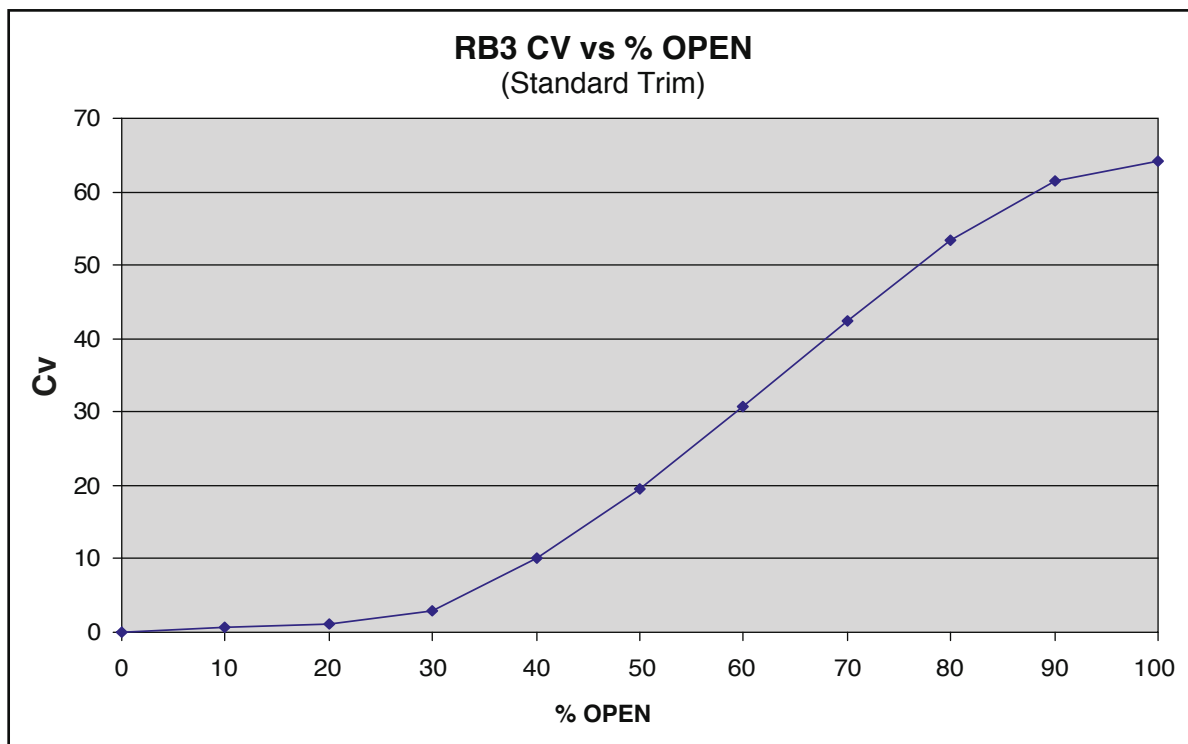
| ITEM | DESCRIPTION | QTY |
|-------|--------------------------|-----|
| 1 | O-RING 2-237 | 1 |
| 2 | O-RING 2-242 | 2 |
| 3 | O-RING 2-230 | 1 |
| 4 | O-RING 2-241 | 1 |
| 5 | O-RING 2-152 | 2 |
| 6* | DOWEL PIN | 2 |
| 7 | DOWEL PIN | 1 |
| 8 | STUD | 8 |
| 9 | HEX NUT | 8 |
| 10** | HEX BOLT | 4 |
| 11* | SET SCREW | 2 |
| 12 | HEX NUT (Lock Nut) | 2 |
| 13 | VENT VALVE | 1 |
| 14 | NOZZLE | 1 |
| 15 | SEAT | 1 |
| 16 | CAGE | 1 |
| 17 | EXTERNAL SLEEVE ASSEMBLY | 1 |
| 18 | EXTERNAL SLEEVE GUIDE | 1 |
| 19 | BONNET | 1 |
| 20 | BODY/FLANGE WELDMENT | 1 |
| 21 | STEM | 1 |
| 22 | YOKE LOCK NUT | 2 |
| 23 | WASHER | 1 |
| 24 | SNAP RING | 1 |
| 25 | U-CUP SEALS | 1 |
| 26*** | YOKE | 1 |
| 27** | ANTI-ROTATIONAL DEVICE | 1 |
| 28** | STEM ADAPTER | 1 |
| 29** | PIPE PLUG | 1 |
| 30** | DIAMOND GEAR ACTUATOR | 1 |
| 31** | HANDWHEEL | 1 |
| 32 | WIPER SEAL (Dust Cap) | 1 |
| 33 | BACK UP RINGS | 2 |

*Item not visible in sectioned view
 **Parts not included on actuator
 ***Optional depending on actuator type
 (Contact TVT for information)

RB3 Dimensions and Weights

| CONNECTIONS | | DIMENSIONS - IN. (MM.) | | | WEIGHT | |
|------------------|------------------|------------------------|-------------|-------------|--------|-----|
| INLET | OUTLET | "A" | "B" | "C" | LB. | KG. |
| 3" BW | 3" BW | 5.25 (133) | 5.25 (133) | 28.12 (714) | 154 | 70 |
| 3" 150 RFF | 3" 150 RFF | 8.00 (203) | 8.00 (203) | 30.87 (784) | 177 | 80 |
| 3" 300 RFF | 3" 300 RFF | 8.38 (213) | 8.38 (213) | 31.25 (794) | 185 | 83 |
| 3" 600 RFF | 3" 600 RFF | 8.75 (222) | 8.75 (222) | 31.62 (803) | 190 | 86 |
| 3" 600 RTJ | 3" 600 RTJ | 8.81 (223) | 8.81 (223) | 31.68 (805) | 190 | 86 |
| 3" 900 RFF | 3" 900 RFF | 9.50 (241) | 9.50 (241) | 32.37 (822) | 212 | 96 |
| 3" 900 RTJ | 3" 900 RTJ | 9.56 (243) | 9.56 (243) | 32.43 (824) | 212 | 96 |
| 3" 1500 RFF | 3" 1500 RFF | 10.12 (257) | 10.12 (257) | 33.00 (838) | 250 | 114 |
| 3" 1500 RTJ | 3" 1500 RTJ | 10.19 (259) | 10.19 (259) | 33.06 (840) | 250 | 114 |
| 3" 2500 RFF | 3" 2500 RFF | 12.13 (308) | 12.13 (308) | 35.00 (889) | 342 | 155 |
| 3" 2500 RTJ | 3" 2500 RTJ | 12.25 (311) | 12.25 (311) | 35.12 (892) | 342 | 155 |
| 4" BW | 4" BW | 5.25 (133) | 5.25 (133) | 28.12 (714) | 154 | 70 |
| 4" 150 RFF | 4" 150 RFF | 8.25 (210) | 8.25 (210) | 31.12 (790) | 187 | 85 |
| 4" 300 RFF | 4" 300 RFF | 8.62 (219) | 8.62 (219) | 31.49 (800) | 207 | 94 |
| 4" 600 RFF | 4" 600 RFF | 9.50 (241) | 9.50 (241) | 32.37 (822) | 228 | 104 |
| 4" 600 RTJ | 4" 600 RTJ | 9.56 (243) | 9.56 (243) | 32.43 (824) | 228 | 104 |
| 4" 900 RFF | 4" 900 RFF | 10.00 (254) | 10.00 (254) | 32.87 (835) | 256 | 116 |
| 4" 900 RTJ | 4" 900 RTJ | 10.06 (256) | 10.06 (256) | 32.93 (836) | 256 | 116 |
| 4" 1500 RFF | 4" 1500 RFF | 10.38 (263) | 10.38 (263) | 33.25 (845) | 292 | 133 |
| 4" 1500 RTJ | 4" 1500 RTJ | 10.44 (265) | 10.44 (265) | 33.31 (846) | 292 | 133 |
| 4" 2500 RFF | 4" 2500 RFF | 13.00 (330) | 13.00 (330) | 35.87 (911) | 444 | 201 |
| 4" 2500 RTJ | 4" 2500 RTJ | 13.19 (335) | 13.19 (335) | 36.06 (916) | 444 | 201 |
| 3-1/8" API 3000 | 3-1/8" API 3000 | 9.56 (342) | 9.56 (342) | 32.43 (824) | 212 | 96 |
| 3-1/8" API 5000 | 3-1/8" API 5000 | 10.19 (258) | 10.19 (258) | 33.06 (840) | 250 | 114 |
| 4-1/16" API 3000 | 4-1/16" API 3000 | 10.06 (255) | 10.06 (255) | 32.93 (836) | 256 | 116 |
| 4-1/16" API 5000 | 4-1/16" API 5000 | 10.44 (265) | 10.44 (265) | 33.31 (846) | 292 | 133 |

ALL DIMENSIONS ARE +/- .10"

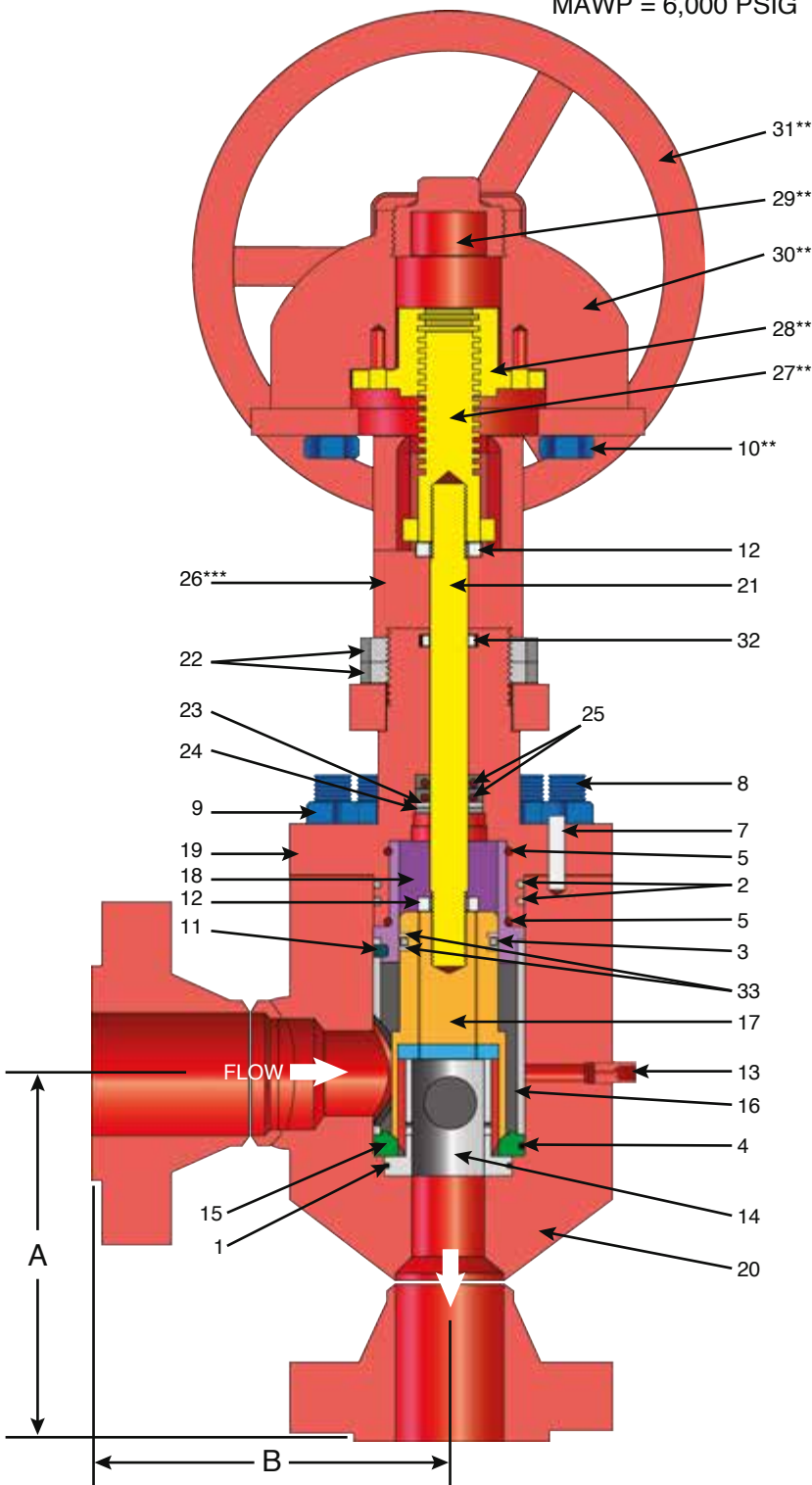
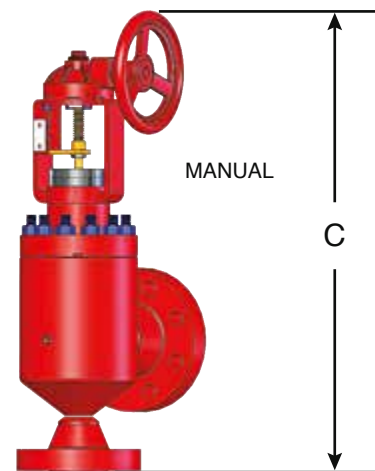


Taylor Valve RB Control Valves

RB4 Cutaway View

RB4 Control Choke

Cv = 164
 Bean Size = 169 / 64th's
 Stroke Length = 2.45"
 Stem Diameter = .75"
 MAWP = 6,000 PSIG



| ITEM | DESCRIPTION | QTY |
|-------|--------------------------|-----|
| 1 | O-RING 2-246 | 1 |
| 2 | O-RING 2-251 | 2 |
| 3 | O-RING 2-237 | 1 |
| 4 | O-RING 2-249 | 1 |
| 5 | O-RING 2-243 | 2 |
| 6* | DOWEL PIN | 2 |
| 7 | DOWEL PIN | 1 |
| 8 | STUD | 12 |
| 9 | HEX NUT | 12 |
| 10** | HEX BOLT | 4 |
| 11* | SET SCREW | 2 |
| 12 | HEX NUT (Lock Nut) | 2 |
| 13 | VENT VALVE | 1 |
| 14 | NOZZLE | 1 |
| 15 | SEAT | 1 |
| 16 | CAGE | 1 |
| 17 | EXTERNAL SLEEVE ASSEMBLY | 1 |
| 18 | EXTERNAL SLEEVE GUIDE | 1 |
| 19 | BONNET | 1 |
| 20 | BODY/FLANGE WELDMENT | 1 |
| 21 | STEM | 1 |
| 22 | YOKE LOCK NUT | 2 |
| 23 | WASHER | 1 |
| 24 | SNAP RING | 1 |
| 25 | U-CUP SEALS | 1 |
| 26*** | YOKE | 1 |
| 27** | ANTI-ROTATIONAL DEVICE | 1 |
| 28** | STEM ADAPTER | 1 |
| 29** | PIPE PLUG | 1 |
| 30** | DIAMOND GEAR ACTUATOR | 1 |
| 31** | HANDWHEEL | 1 |
| 32 | WIPER SEAL (Dust Cap) | 1 |
| 33 | BACK UP RINGS | 2 |

*Item not visible in sectioned view

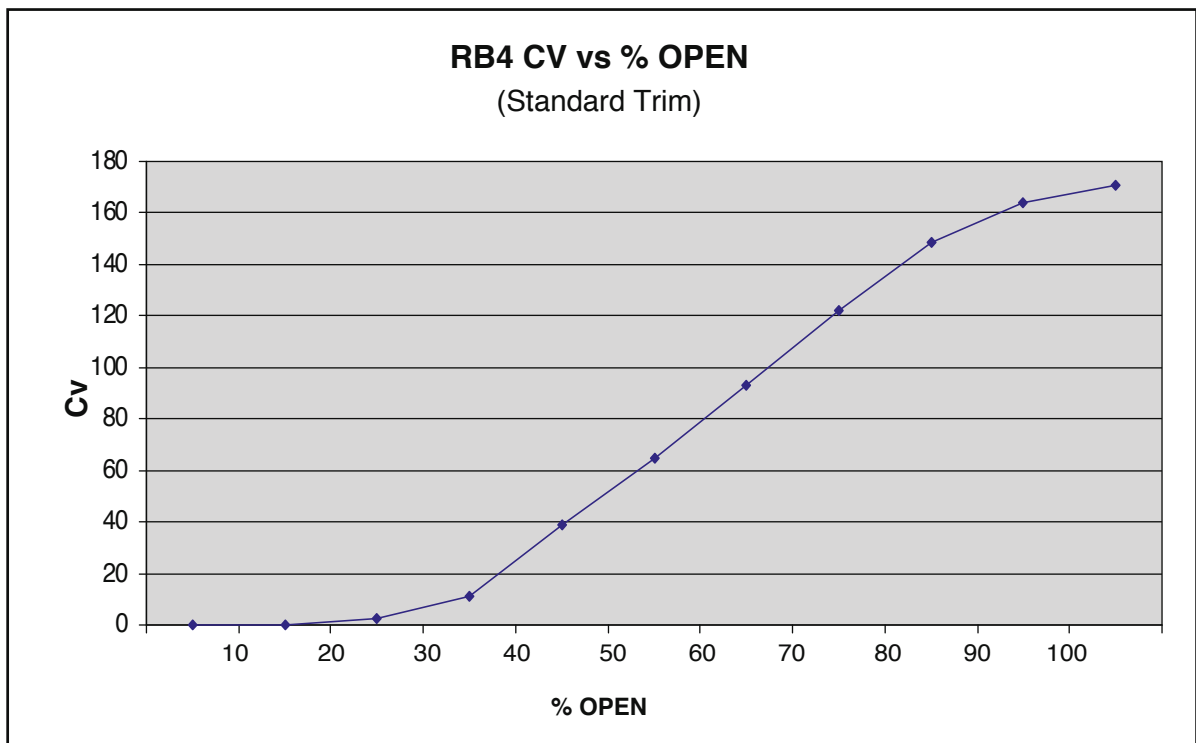
**Parts not included on actuator

***Optional depending on actuator type
 (Contact TVT for information)

RB4 Dimensions and Weights

| CONNECTIONS | | DIMENSIONS - IN. (MM.) | | | WEIGHT | |
|------------------|------------------|------------------------|-------------|--------------|--------|-----|
| INLET | OUTLET | "A" | "B" | "C" | LB. | KG. |
| 4" BW | 4" BW | 6.50 (165) | 6.50 (165) | 34.38 (873) | 367 | 166 |
| 4" 150 RFF | 4" 150 RFF | 9.50 (241) | 9.50 (241) | 37.38 (949) | 397 | 180 |
| 4" 300 RFF | 4" 300 RFF | 9.88 (251) | 9.88 (251) | 37.76 (959) | 417 | 189 |
| 4" 600 RFF | 4" 600 RFF | 10.75 (273) | 10.75 (273) | 38.63 (981) | 451 | 205 |
| 4" 600 RTJ | 4" 600 RTJ | 10.81 (275) | 10.81 (275) | 38.69 (983) | 451 | 205 |
| 4" 900 RFF | 4" 900 RFF | 11.25 (286) | 11.25 (286) | 39.13 (994) | 479 | 217 |
| 4" 900 RTJ | 4" 900 RTJ | 11.31 (287) | 11.31 (287) | 39.19 (995) | 479 | 217 |
| 4" 1500 RFF | 4" 1500 RFF | 11.63 (295) | 11.63 (295) | 39.51 (1004) | 515 | 234 |
| 4" 1500 RTJ | 4" 1500 RTJ | 11.69 (297) | 11.69 (297) | 39.57 (1005) | 515 | 234 |
| 4" 2500 RFF | 4" 2500 RFF | 14.25 (362) | 14.25 (362) | 42.13 (1070) | 669 | 304 |
| 4" 2500 RTJ | 4" 2500 RTJ | 14.44 (367) | 14.44 (367) | 42.32 (1075) | 669 | 304 |
| 6" BW | 6" BW | 6.50 (165) | 6.50 (165) | 34.38 (873) | 367 | 166 |
| 6" 150 RFF | 6" 150 RFF | 10.00 (254) | 10.00 (254) | 37.88 (962) | 415 | 188 |
| 6" 300 RFF | 6" 300 RFF | 10.38 (264) | 10.38 (264) | 38.26 (972) | 451 | 205 |
| 6" 600 RFF | 6" 600 RFF | 11.38 (289) | 11.38 (289) | 39.26 (997) | 529 | 240 |
| 6" 600 RTJ | 6" 600 RTJ | 11.44 (291) | 11.44 (291) | 39.32 (999) | 529 | 240 |
| 6" 900 RFF | 6" 900 RFF | 12.25 (311) | 12.25 (311) | 40.13 (1019) | 597 | 271 |
| 6" 900 RTJ | 6" 900 RTJ | 12.31 (313) | 12.31 (313) | 40.19 (1021) | 597 | 271 |
| 6" 1500 RFF | 6" 1500 RFF | 13.50 (342) | 13.50 (342) | 41.38 (1051) | 705 | 320 |
| 6" 1500 RTJ | 6" 1500 RTJ | 13.62 (346) | 13.62 (346) | 41.50 (1054) | 705 | 320 |
| 6" 2500 RFF | 6" 2500 RFF | 17.50 (445) | 17.50 (445) | 45.38 (1153) | 1133 | 514 |
| 6" 2500 RTJ | 6" 2500 RTJ | 17.75 (451) | 17.75 (451) | 45.63 (1159) | 1133 | 514 |
| 4-1/16" 3000 API | 4-1/16" 3000 API | 11.31 (287) | 11.31 (287) | 39.19 (995) | 479 | 217 |
| 4-1/16" 5000 API | 4-1/16" 5000 API | 11.69 (297) | 11.69 (297) | 39.57 (1005) | 515 | 234 |

ALL DIMENSIONS ARE +/- .10"



Taylor Valve RB Control Valves

RB6 Cutaway View

RB6 Control Choke

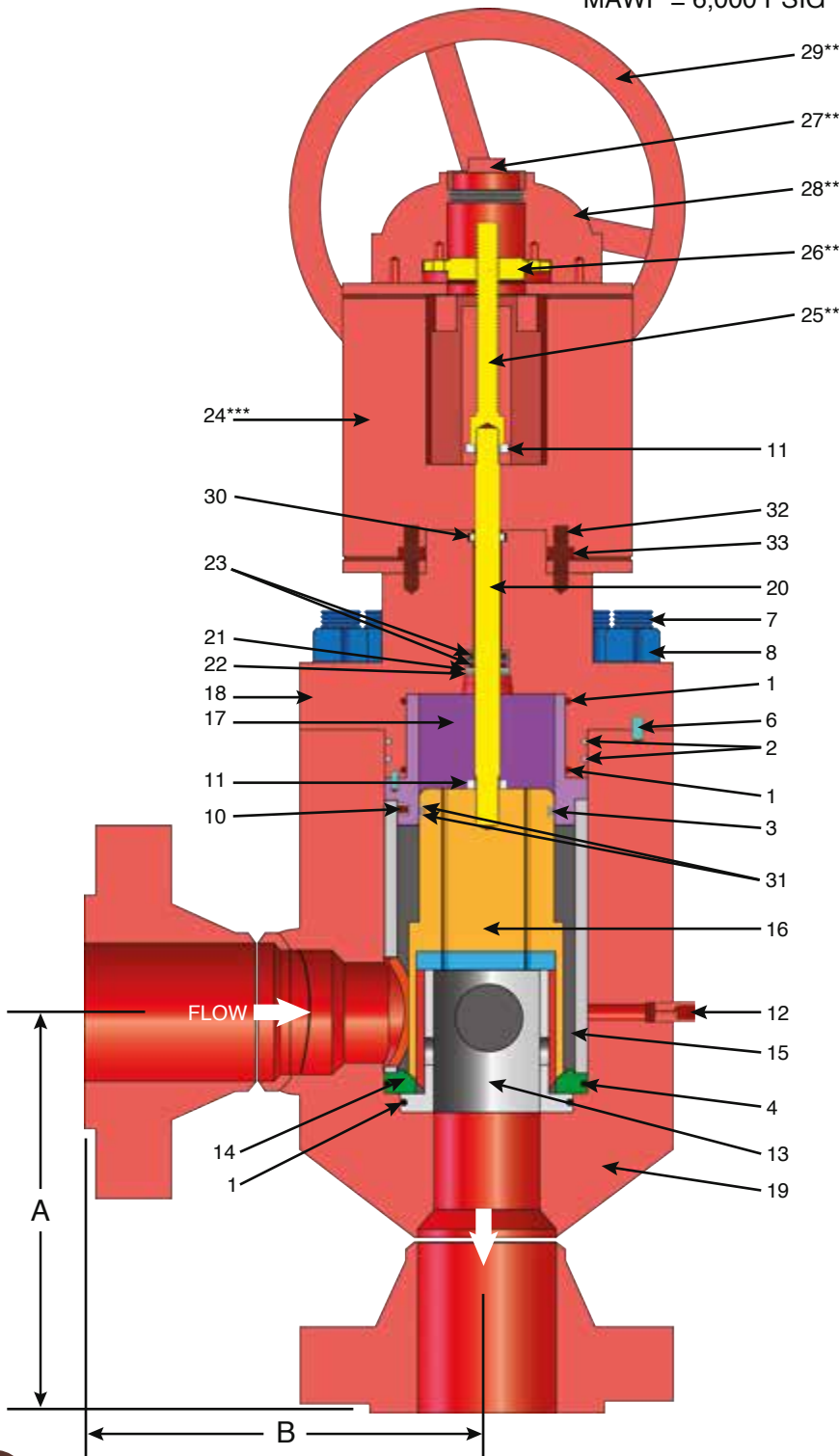
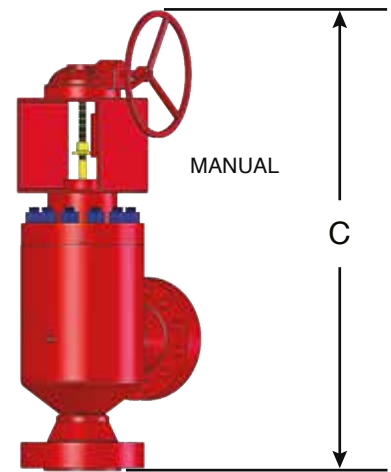
Cv = 420

Bean Size = 270 / 64th's

Stroke Length = 4.25"

Stem Diameter = 1.00"

MAWP = 6,000 PSIG



| ITEM | DESCRIPTION | QTY |
|-------|--------------------------|-----|
| 1 | O-RING 2-363 | 3 |
| 2 | O-RING 2-369 | 2 |
| 3 | O-RING 2-355 | 1 |
| 4 | O-RING 2-367 | 1 |
| 5* | DOWEL PIN | 2 |
| 6 | DOWEL PIN | 1 |
| 7 | STUD | 12 |
| 8 | HEX NUT | 12 |
| 9* | HEX BOLT | 4 |
| 10* | SET SCREW | 2 |
| 11 | HEX NUT (Lock Nut) | 2 |
| 12 | VENT VALVE | 1 |
| 13 | NOZZLE | 1 |
| 14 | SEAT | 1 |
| 15 | CAGE | 1 |
| 16 | EXTERNAL SLEEVE ASSEMBLY | 1 |
| 17 | EXTERNAL SLEEVE GUIDE | 1 |
| 18 | BONNET | 1 |
| 19 | BODY/FLANGE WELDMENT | 1 |
| 20 | STEM | 1 |
| 21 | WASHER | 1 |
| 22 | SNAP RING | 1 |
| 23 | U-CUP SEALS | 1 |
| 24*** | BRACKET | 1 |
| 25** | ANTI-ROTATIONAL DEVICE | 1 |
| 26** | STEM ADAPTER | 1 |
| 27** | PIPE PLUG | 1 |
| 28** | DIAMOND GEAR ACTUATOR | 1 |
| 29** | HANDWHEEL | 1 |
| 30 | WIPER SEAL (Dust Cap) | 1 |
| 31 | BACK UP RINGS | 2 |
| 32 | STUD | 8 |
| 33 | NUT | 8 |

*Item not visible in sectioned view

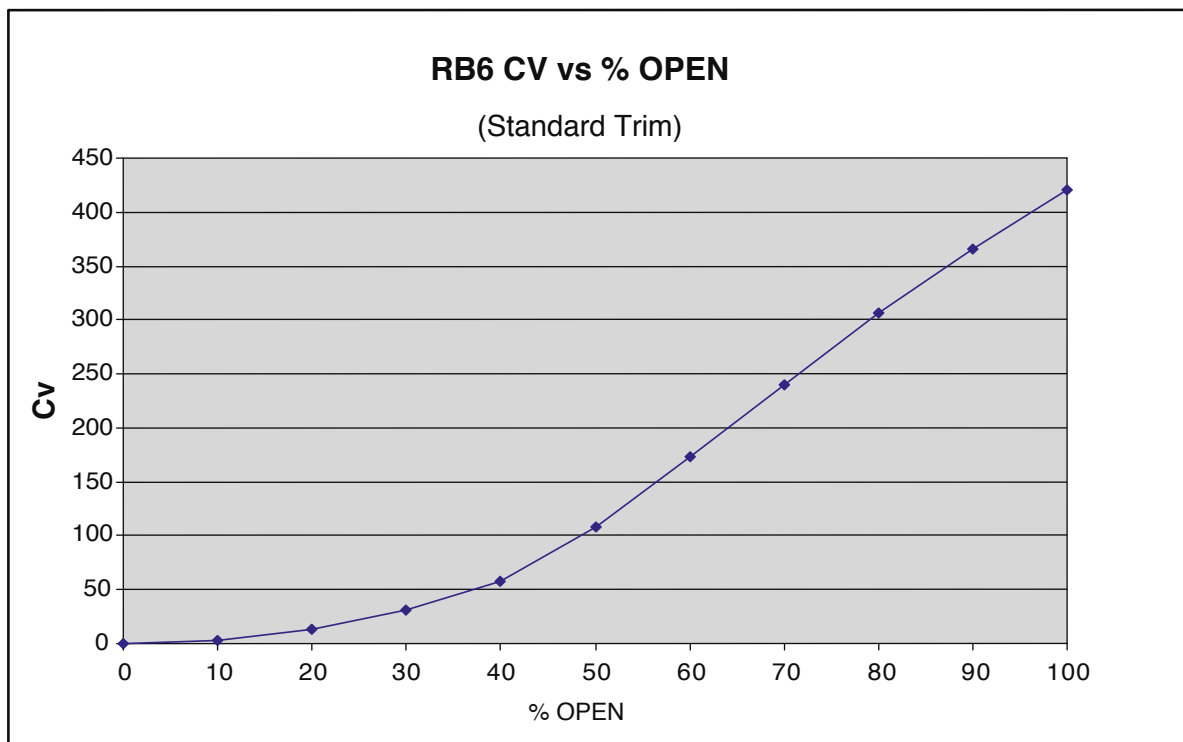
**Parts not included on actuator

***Optional depending on actuator type
(Contact TVT for information)

RB6 Dimensions and Weights

| CONNECTIONS | | DIMENSIONS - IN. (MM.) | | | WEIGHT | |
|------------------|------------------|------------------------|-------------|--------------|--------|-----|
| INLET | OUTLET | "A" | "B" | "C" | LB. | KG. |
| 6" BW | 6" BW | 9.50 (241) | 9.50 (241) | 33.54 (852) | 767 | 348 |
| 6" 150 RFF | 6" 150 RFF | 13.00 (330) | 13.00 (330) | 37.04 (941) | 815 | 370 |
| 6" 300 RFF | 6" 300 RFF | 13.38 (340) | 13.38 (340) | 37.42 (950) | 851 | 386 |
| 6" 600 RFF | 6" 600 RFF | 14.38 (365) | 14.38 (365) | 38.42 (976) | 929 | 422 |
| 6" 600 RTJ | 6" 600 RTJ | 14.44 (368) | 14.44 (368) | 38.48 (977) | 929 | 422 |
| 6" 900 RFF | 6" 900 RFF | 15.25 (387) | 15.25 (387) | 39.29 (998) | 1003 | 455 |
| 6" 900 RTJ | 6" 900 RTJ | 15.31 (389) | 15.31 (389) | 39.35 (999) | 1003 | 455 |
| 6" 1500 RFF | 6" 1500 RFF | 16.50 (419) | 16.50 (419) | 40.54 (1030) | 1111 | 504 |
| 6" 1500 RTJ | 6" 1500 RTJ | 16.62 (422) | 16.62 (422) | 40.66 (1033) | 1111 | 504 |
| 6" 2500 RFF | 6" 2500 RFF | 20.50 (521) | 20.50 (521) | 44.54 (1131) | 1539 | 699 |
| 6" 2500 RTJ | 6" 2500 RTJ | 20.75 (527) | 20.75 (527) | 44.79 (1138) | 1539 | 699 |
| 8" BW | 8" BW | 9.50 (241) | 9.50 (241) | 33.54 (852) | 767 | 348 |
| 8" 150 RFF | 8" 150 RFF | 13.50 (343) | 13.50 (343) | 37.54 (954) | 845 | 383 |
| 8" 300 RFF | 8" 300 RFF | 13.88 (353) | 13.88 (353) | 37.92 (963) | 901 | 409 |
| 8" 600 RFF | 8" 600 RFF | 15.00 (381) | 15.00 (381) | 39.04 (992) | 1007 | 457 |
| 8" 600 RTJ | 8" 600 RTJ | 15.06 (383) | 15.06 (383) | 39.10 (993) | 1007 | 457 |
| 8" 900 RFF | 8" 900 RFF | 16.13 (410) | 16.13 (410) | 40.17 (1020) | 1157 | 525 |
| 8" 900 RTJ | 8" 900 RTJ | 16.19 (411) | 16.19 (411) | 40.23 (1022) | 1157 | 525 |
| 8" 1500 RFF | 8" 1500 RFF | 18.13 (461) | 18.13 (461) | 42.17 (1071) | 1329 | 603 |
| 8" 1500 RTJ | 8" 1500 RTJ | 18.31 (465) | 18.31 (465) | 42.35 (1076) | 1329 | 603 |
| 8" 2500 RFF | 8" 2500 RFF | 22.25 (565) | 22.25 (565) | 46.29 (1176) | 1935 | 878 |
| 8" 2500 RTJ | 8" 2500 RTJ | 22.56 (573) | 22.56 (573) | 46.60 (1184) | 1935 | 878 |
| 7-1/16" API 3000 | 7-1/16" API 3000 | 15.31 (389) | 15.31 (389) | 39.35 (999) | 1157 | 525 |
| 7-1/16" API 5000 | 7-1/16" API 5000 | 16.63 (422) | 16.63 (422) | 40.67 (1033) | 1329 | 603 |

ALL DIMENSIONS ARE +/- .10"



Taylor Valve RB Control Valves

RB Actuation Packages

Electric Actuators

Multi - Turn



Actuator Shown - IQTF 125 Rotork

- 24 Volt DC Supply
- Max Torque 92 ft. lbs.
- NEMA 4 Enclosure
- Side Mounted Hand wheel
- Weight 49 lbs.
- Used on RB 2" & 3"

Actuator Shown - IQTF 250 Rotork

- 24 Volt DC Supply
- Max Torque 180 ft. lbs.
- NEMA 4 Enclosure
- Side Mounted Hand wheel
- Weight 49 lbs.
- Used on RB 2" & 3"



Actuator Shown - IQS 35 Rotork

- Single Phase Supply (120v or 220v)
- Max Torque 230 ft. lbs.
- NEMA 4 Enclosure
- Top Mounted Hand wheel
- Appx. Weight 160 lbs.
- Used on RB 3", 4" & 6"



Pneumatic Actuators

Spring Cylinder



Actuator Shown - Valtek VL 25*

- Double Acting Configuration
- Actuation Air Pressure Max 120psi
- NEMA 4 Enclosure
- Optional Manual Hand Wheel
- Optional Positioners
- Used on RB 2"

*Valtek VL100 also available for RB 4" & RB 6"

Actuator Shown - Valtek VL 50*

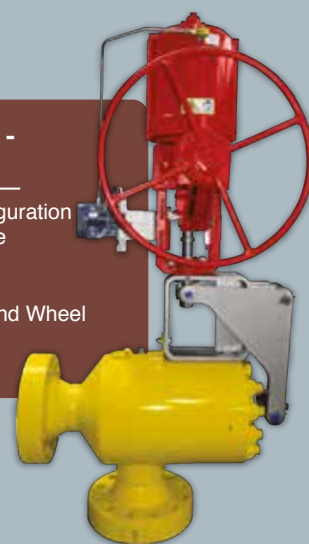
- Double Acting Configuration
- Actuation Air Pressure Max 120psi
- NEMA 4 Enclosure
- Optional Manual Hand Wheel
- Optional Positioners
- Used on RB 3"

*Valtek VL100 also available for RB 4" & RB 6"



Actuator Shown - Valtek VL 100

- Double Acting Configuration
- Actuation Air Pressure Max 120psi
- NEMA 4 Enclosure
- Optional Manual Hand Wheel
- Optional Positioners
- Used on RB 6"



RB Actuation Packages

Pneumatic Actuators Spring Diaphragm

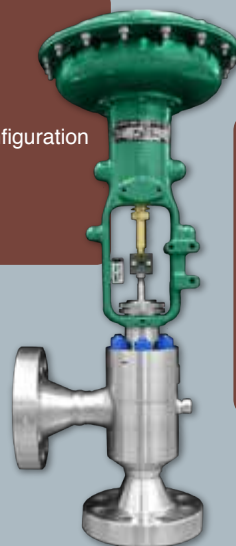


**Actuator Shown -
Fisher Pneumatic
Spring Diaphragm**

- Single or Double Acting Configuration
- Actuation Air Pressure 30psi
- NEMA 4 Enclosure
- Optional Positioners
- Used on R1 & RB 2"

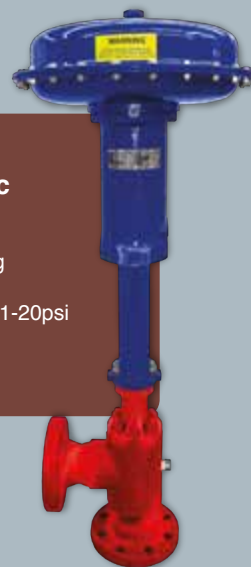
**Actuator Shown -
Fisher Pneumatic
Spring Diaphragm**

- Single or Double Acting Configuration
- Actuation Air Pressure 30psi
- NEMA 4 Enclosure
- Optional Positioners
- Used on R1 & RB 2"



**Actuator Shown -
Dynaflo Pneumatic
Spring Diaphragm**

- Single or Double Acting Configuration
- Actuation Air Pressure 1-20psi
- NEMA 4 Enclosure
- Optional Positioners
- Used on RB 2"



**Actuator Shown -
Fisher Pneumatic
Spring Diaphragm**

- Single or Double Acting Configuration
- Actuation Air Pressure 11-30psi
- NEMA 4 Enclosure
- Optional Positioners
- Used on RB 3"



**Actuator Shown -
Kimray Pneumatic
Spring Diaphragm**

- Single or Double Acting Configuration
- Actuation Air Pressure 30psi
- NEMA 4 Enclosure
- Optional Positioners
- Used on RB 2" & 3"

**Actuator Shown -
Dynaflo Pneumatic
Spring Diaphragm**

- Single or Double Acting Configuration
- Actuation Air Pressure 1-20psi
- NEMA 4 Enclosure
- Optional Positioners
- Used on RB 4"



Note: Actuators shown are not manufactured by Taylor Valve, but bought as per customer requested specifications for their applications/installations. Consult Taylor Valve for more options.

