



COMPACT VALVES

三千控制阀网

www.cv3000.com

valves and actuators

introduction

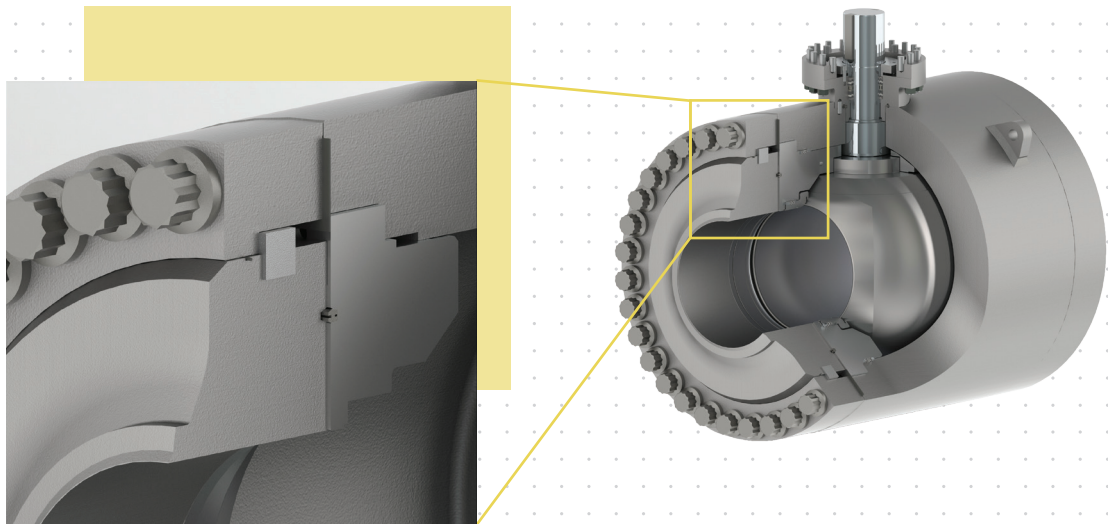
PETROLVALVES is a leading manufacturer of valves for the oil and gas industry. Formed in 1956, **PETROLVALVES** has grown to a company with sales, services and manufacturing facilities throughout the world with direct presence in the United States, Norway, United Kingdom, Italy, Singapore and Australia.

The continuous investment in development of new technology has resulted in the growth and ongoing success of our company. **PETROLVALVES** line of production includes some of the most sophisticated valve products in the world with a strong focus on the development of custom or niche products designed according to customer's specific requirements.

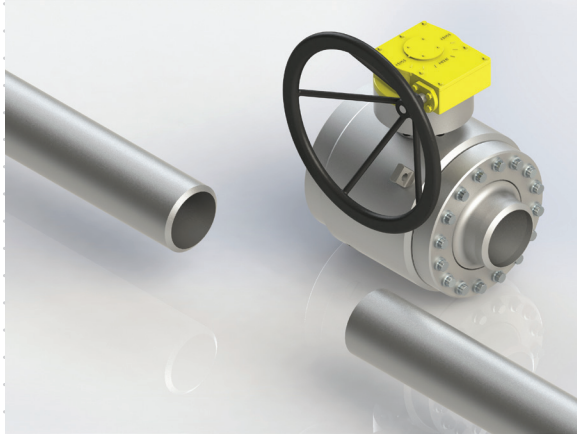
ball and check

COMPACT VALVE PHILOSOPHY

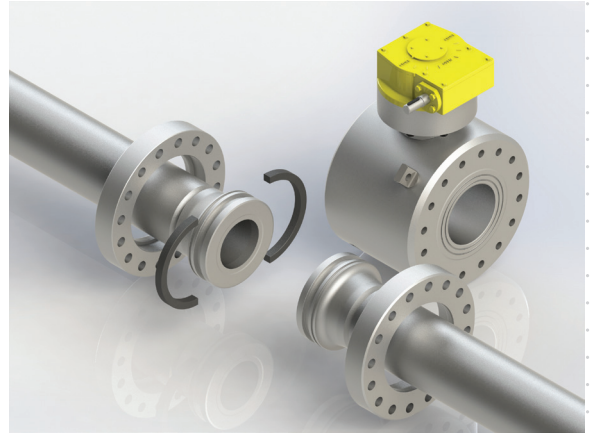
Ball and Check Compact manifold valves are specifically developed to operate where **space and weight** are a major concern. Our designs offer reduced space and weight, using swivel flanges or integral flange designs. Both allow easy disassembly of the valve in line. Any thermal fluctuations and changes of the imposed loads of the pipeline are recovered by the split ring placed between the slip on flange and the buttweld flange. Bolt pattern is the same on both fastener types to guarantee maximum flexibility & full inter-changeability of installations.



compact valves
INSTALLATION PROCEDURE

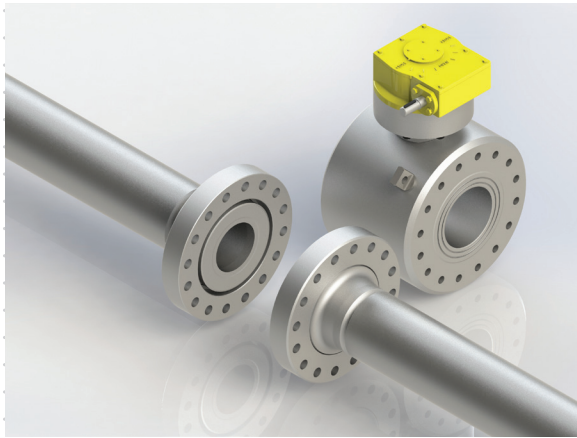


01. Cut pipe and create the space to accommodate valve

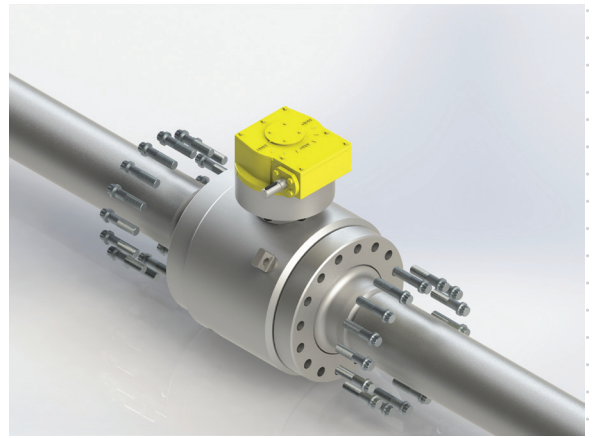


02. Weld valve ends to pipe ends and slide swivel flanges over welded ends; Install half rings in position onto welded valve ends

01



03. Slide swivel flanges over half rings

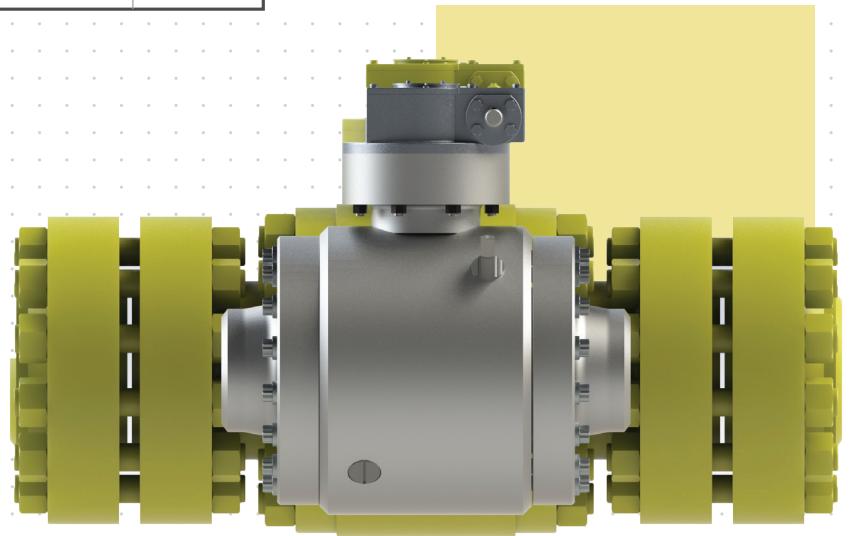


04. Insert body and tighten bolts

normal / compact
VALVE COMPARISON

The picture and summary table below illustrate the comparison between a conventional Class 1500 DN 250 valve and flanged assembly, and a compact design equivalent valve. Our compact design provides substantial reductions in weight and space, as well as associated cost.

	STANDARD VALVE + FLANGE ASSEMBLY	COMPACT VALVE	SAVING
LENGHT	1060 mm	736 mm	30%
WEIGHT	1506 kg	890 kg	41%



compact manifold design features
COMPACT BALL VALVE 281

MAIN DESIGN FEATURES	SPECIAL FEATURES / OPTIONS	ACCESSORIES
<ul style="list-style-type: none"> ▶ API 6A / API 6D ▶ ASME B16.34 ▶ Single or double ball in one body ▶ Metal seat / soft seat ▶ Fire Safe ▶ Full Bore ▶ Bidirectional/ Unidirectional ▶ Self Relieving ▶ Anti blow out stem ▶ Anti static device 	<ul style="list-style-type: none"> ▶ NACE Requirement ▶ Large variety of seals available ▶ Negligible pressure drop ▶ Piggability ▶ Special bore ▶ Trunnion mounted or floating ball design ▶ Full/partial cladding ▶ Equalizing hole in ball ▶ Extended stem ▶ Extended bonnet ▶ Double Block & Bleed (*) ▶ Specially engineered design for horizontal stem installation and / or vertical pipeline installation ▶ Custom engineering to meet customer project requirements 	<p>Vent & Drain:</p> <ul style="list-style-type: none"> ▶ Plugged ▶ Flanged ▶ With valve ▶ Any type of connection upon request <p>Seat / Stem Injection:</p> <ul style="list-style-type: none"> ▶ Plugged ▶ Flanged ▶ With isolation valve ▶ Any type of connection upon request

(*) upon request

PETROLVALVES' engineering department is specialized to fulfill all customer requirements and project specifications.

compact manifold design features
COMPACT CHECK VALVE 136 / 913

MAIN DESIGN FEATURES	SPECIAL FEATURES	ACCESSORIES
<ul style="list-style-type: none"> ▶ API 6A / API 6D ▶ Swing check valve ▶ Fire Safe ▶ Regular or full port 	<ul style="list-style-type: none"> ▶ NACE Requirement ▶ Renewable trim ▶ Large variety of seal available ▶ Special bore 	<ul style="list-style-type: none"> ▶ Any type of connection upon request

PETROLVALVES' engineering department is specialized to fulfill all customer requirements and project specifications.



materials

PETROLVALVES' compact valves have been designed for use with various combinations of materials which are selected to better suit service conditions

AVAILABLE BODY MATERIAL SELECTION	AVAILABLE TRIM MATERIAL SELECTION	AVAILABLE COATING SELECTION
<p>Cast or Forged: LTCS; Inconel Cladded</p> <p>Forged: Low Alloy Steel; Inconel Cladded</p> <p>Cast or Forged: Stainless Steel, Duplex, SuperDuplex, Ni Alloy</p>	<p>Cast or Forged: LTCS; Inconel cladded</p> <p>Forged: Low Alloy Steel; Inconel cladded</p> <p>Cast or Forged: Stainless Steel, Duplex, SuperDuplex, Ni Alloy</p>	<p>Ball valves: Electroless Ni Plating, Tungsten Carbide Coating, Chromium Carbides Coating</p> <p>Check valves: Stellite HardFacing</p>