



BOLTED BONNET GATE VALVES

三千控制阀网

www.cv3000.com

valves and actuators

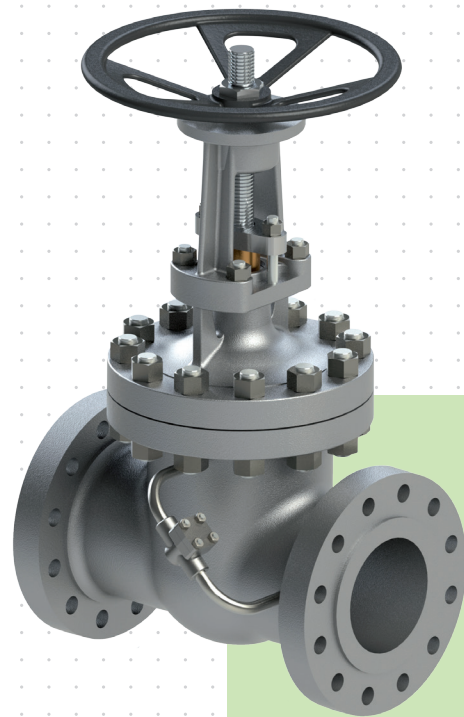
introduction

PETROLVALVES is a leading manufacturer of valves for the oil and gas industry.

Formed in 1956, **PETROLVALVES** has grown to a company with sales, services and manufacturing facilities throughout the world with direct presence in the United States, Norway, United Kingdom, Italy, Singapore and Australia.

The continuous investment in development of new technology has resulted in the growth and ongoing success of our company. **PETROLVALVES** line of production includes some of the most sophisticated valve products in the world with a strong focus on the development of custom or niche products designed according to customer's specific requirements.

PETROLVALVES has been manufacturing Gate valves since the early 1960s, and has been involved in some of the largest oil & gas projects in the industry.



gate valves
BASIC INFORMATION

STANDARD SERVICE: use in natural gas, crude oil, refined products transmission lines as well as in many other general industrial and oil & gas applications. For example:

- ▶ transmission pipelines,
- ▶ pumping, compression and reinjection units
- ▶ offshore platforms
- ▶ onshore terminals
- ▶ pig traps
- ▶ measuring stations
- ▶ surge-relief skids
- ▶ blowdown

SUB-PRODUCT TYPE

	DESIGN	MODEL
GATE VALVES	Wedge Gate	110
	Parallel Slide Gate	101SP
	Double Disc Single Expanding	950

01

SPECIAL SERVICE

- ▶ HIGH/LOW TEMPERATURE
- ▶ CRYOGENIC
- ▶ DIRTY / ABRASIVE SERVICE
- ▶ BURIED

RANGE OF PRODUCTION (*)				
API 6D/ANSI class	150 to 600	900	1500	2500
SIZE	2" to 64"	2" to 54"	2" to 48"	2" to 30"
API 6A class	API 3000	API 5000**	API 10000	API 15000
SIZE	up to 34"	up to 34"	up to 16"	10"
(*) for non listed dimensions contact PV's staff				

gate valves FEATURE

MAIN DESIGN FEATURES	SPECIAL FEATURES	ACCESSORIES
<ul style="list-style-type: none"> ▶ API 600 or API 6A ▶ ASME B16.34 ▶ Metal seated ▶ Fire Safe ▶ Full bore ▶ Bidirectional/Unidirectional ▶ Anti blow out stem 	<ul style="list-style-type: none"> ▶ NACE Requirement ▶ Special bore ▶ Full/partial cladding ▶ Overpressure relief ▶ Extended stem ▶ Extended bonnet ▶ Custom engineering to suit customer projects requirements ▶ Soft seated construction for bubble-tight shutoff ▶ Internal coating (FBE, Epoxy lined...) 	<p>Vent & Drain:</p> <ul style="list-style-type: none"> ▶ Plugged ▶ Flanged ▶ With valve <p>Equalizing pipe:</p> <ul style="list-style-type: none"> ▶ With valve <p>Bypass</p> <p>Live loaded packing</p>

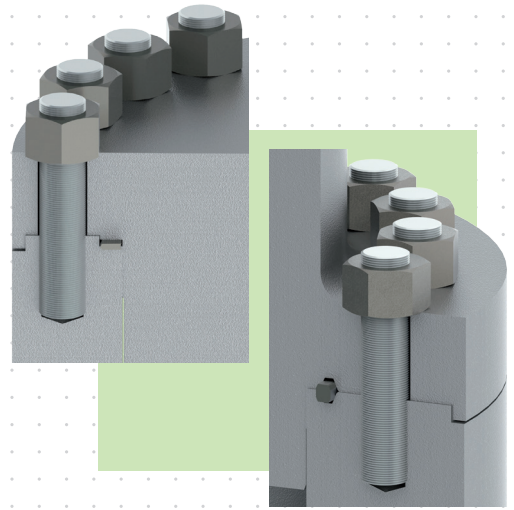
PETROLVALVES' engineering department is specialized in fulfilling all customer's requirements and project specifications.



gate valves
SEALING

BODY SEALING

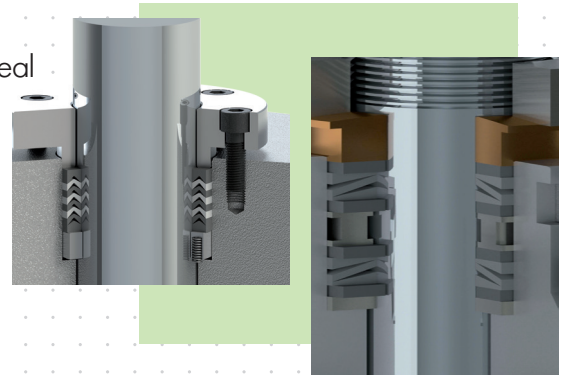
Spiral wound type, or ring joint type on higher classes.



STEM SEALING

Graphite packing or thermoplastic multiple V rings seal type (PTFE chevron pack).

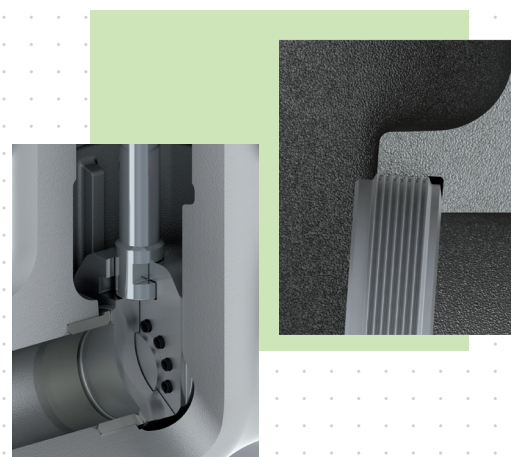
Availability of API 622 qualified packing and API 624 qualified valves design to fully fulfill API 600 requirements.



SEAT SEALING

API 600 design with integral body seat or seal welded separate seat rings.

Renewable threaded seat ring is also available upon request.



obturator
DESIGN

FLEXIBLE WEDGE

Standard flexible wedge design improves the seat tightness and can recover small elastic deformation and thermal expansion, assuring always the optimal contact against the seats.

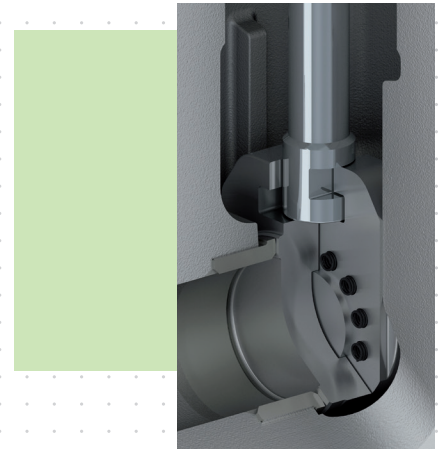
Solid wedge design or split wedge design is available upon request.



PARALLEL SLIDE

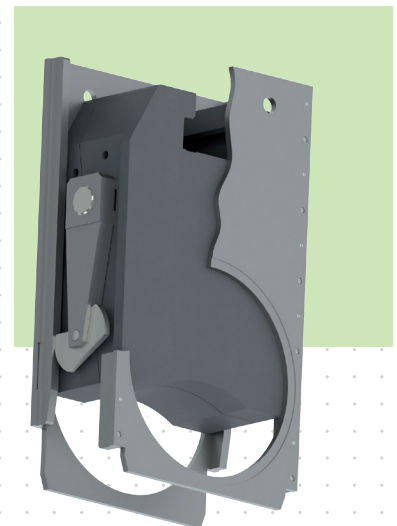
Parallel slide design has obturator made of 2 spring loaded separate plates.

The two plates are free to adjust to temperature fluctuations and to recover high thermal expansions assuring always the best contact against the seat.



DOUBLE DISC SINGLE EXPANDING

Double disc single expanding design is made of two separate discs with a wedging device that pushes the two discs against the seats achieving excellent sealing capabilities.



All wedge types are designed to fully comply with API 600 requirements (E.G. wear travel)

materials

PETROLVALVES gate valves have been designed for use with various combinations of materials which are selected to better suit service conditions.

AVAILABLE BODY MATERIAL SELECTION	AVAILABLE OBTURATOR MATERIAL SELECTION	AVAILABLE SEAT MATERIAL SELECTION
<ul style="list-style-type: none"> ▶ CS, LTCS (*) ▶ Low Alloy Steel (*) ▶ Stainless Steel ▶ Ni Alloy <p>(*) CRA weld overlay option available</p>	<ul style="list-style-type: none"> ▶ CS, LTCS ▶ Low Alloy Steel ▶ Austenitic / Ferritic / Martensitic Stainless Steel ▶ Duplex, Superduplex, Ni Alloy <p>Hardfacing</p> <ul style="list-style-type: none"> ▶ stellite 6 or 21 	<ul style="list-style-type: none"> ▶ CS, LTCS ▶ Low Alloy Steel ▶ Austenitic / Ferritic / Martensitic Stainless Steel ▶ Duplex, Superduplex, Ni Alloy <p>Soft seat insert material (optional)</p> <ul style="list-style-type: none"> ▶ PTFE, RPTFE, PCTFE, PEEK, DEVLON, NYLON <p>Hardfacing</p> <ul style="list-style-type: none"> ▶ stellite 6 or 21

For gate valves, material selection can be made following API 600 trim numbers.

05

accessories

CAVITY RELIEF

Piped tubing with a piston check valve connects the body cavity with the high pressure side in order to relieve any overpressure in the cavity. Valves with cavity relief system are unidirectional.

Upon request, we offer a patented cavity relief device that connects the cavity with both sides of the valve, and releases the pressure to the higher pressure side. Valves are bidirectional.

BYPASS

A pipe with an on-off valve connect the two sides of the main valve, in case of need the bypass valve can be opened in order to equalize the pressure between upstream and downstream and facilitate the valve opening.

LIVE LOADED PACKING

Packing for low emission service, the packing is loaded by means of belleville washers in order to have a constant load regardless of packing wear.