

PSQ-AMS

PS Automation 
Gesellschaft für Antriebstechnik

We care for actuation.

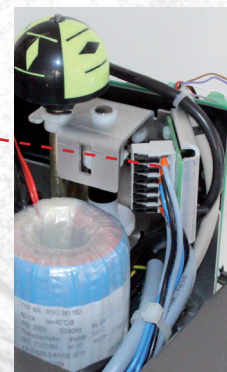
The smart quarter-turn actuator up to 1000 Nm

Safe in operation and extremely compact with an outstanding value for money

Improved stability due to metal mainframe for mainboard and accessories



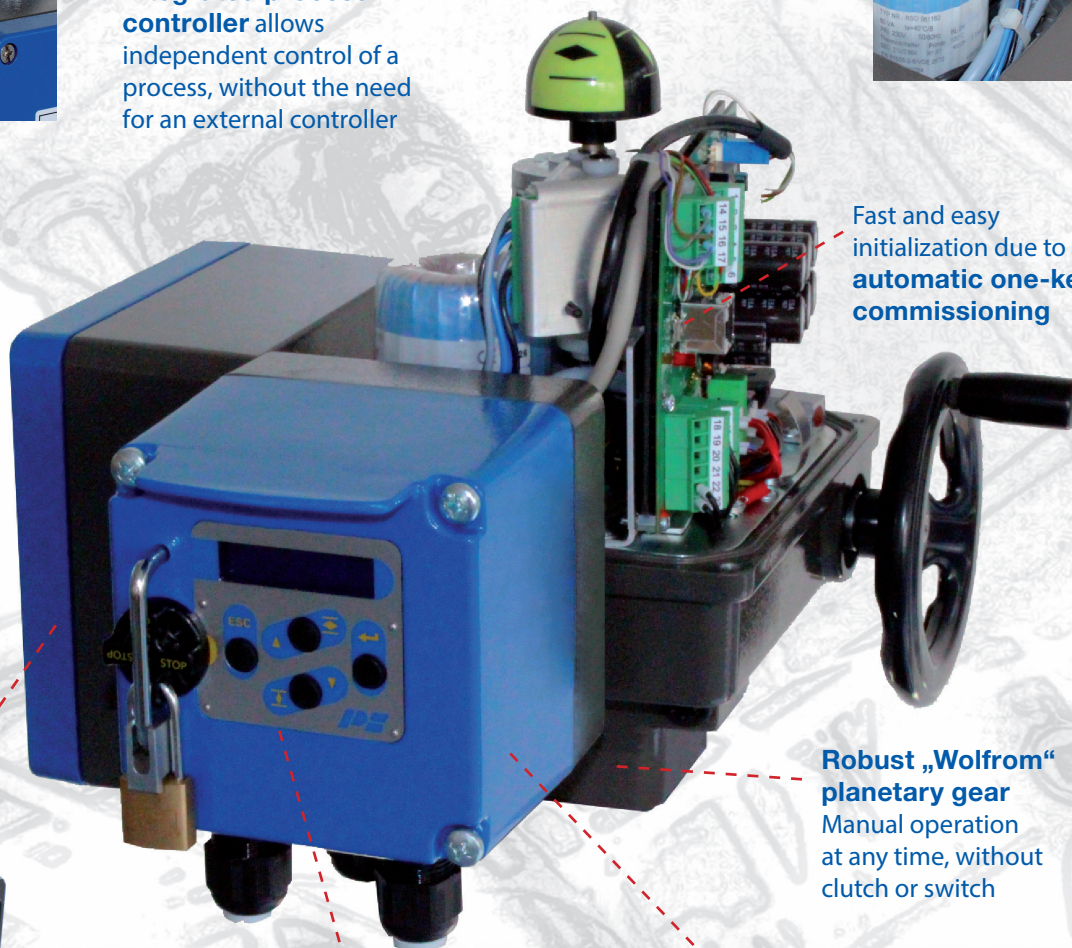
Option: Potential-free additional limit switches / intermediate position switches for additional status signals. Now retrofitable!



Option: Integrated process controller allows independent control of a process, without the need for an external controller

Diagnostic and monitoring function gives information about the status of the operating valve

Fast and easy initialization due to **automatic one-key commissioning**

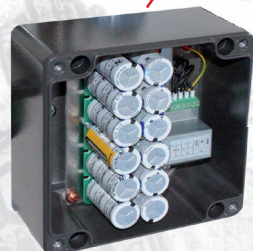


Robust „Wolfrom“ planetary gear
Manual operation at any time, without clutch or switch

Programmable via **optional local control** or via **USB interface**
Manual operation and access to parameters and diagnosis on site without PC

- Common interfaces are integrated, fieldbus optional
- Integrated position indicators and valve positioner functionalities
- Valve control curve adjustable
- Split range control possible

Optional: Power failure backup
Integrated emergency supply on basis of super capacitors, freely adjustable failsafe position



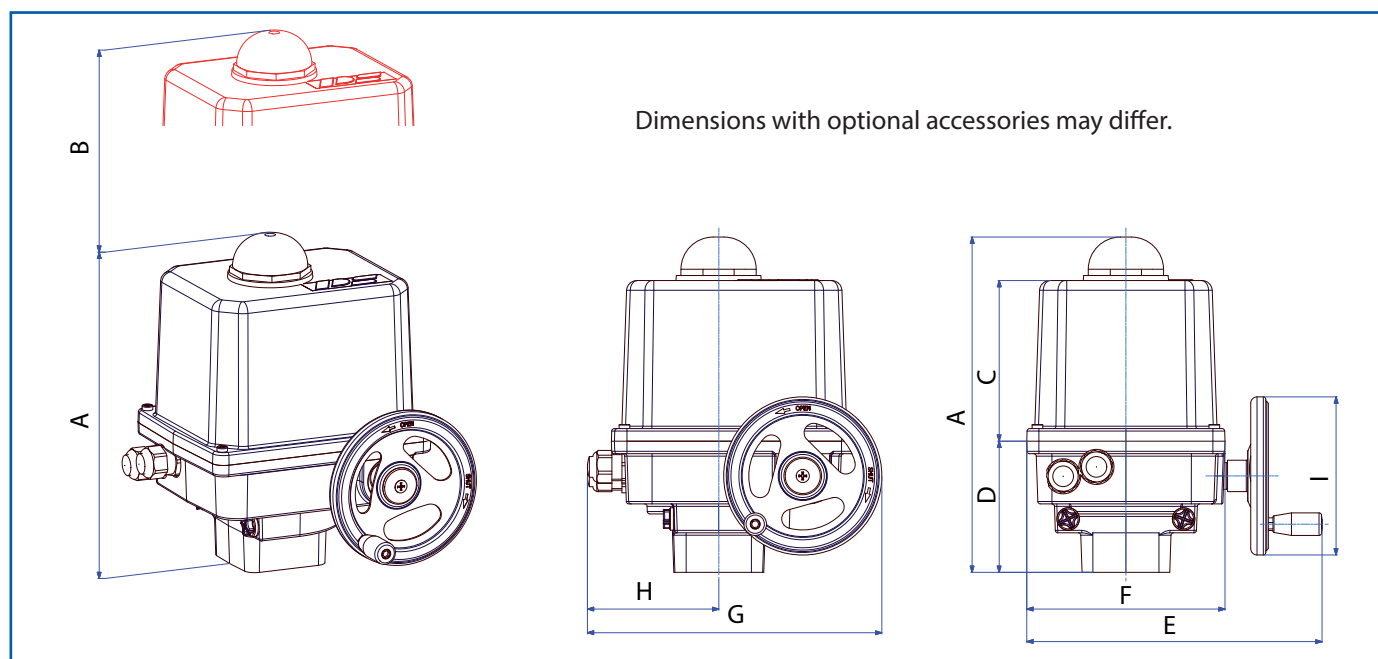
Option: Terminal box IP68 with plug modules for power supply and signals available



PSQ-AMS

Technical data

PSQ-AMS		PSQ103 AMS11	PSQ103 AMS12	PSQ203 AMS11	PSQ203 AMS12	PSQ503 AMS12	PSQ703 AMS13	PSQ1003 AMS13
Switching torque	Nm	65 - 130	65 - 130	125 - 250	125 - 250	250 - 500	350 - 700	500 - 1000
Modulating torque	Nm	65	65	125	125	250	350	500
Angle of rotation	°	90° ± 5°						
Handwheel turns	/90°	18						
Valve flange acc. to ISO 5211		F05 / F07	F05 / F07	F07 / F10	F07 / F10	F10 or F12	F10 or F12	F12 or F14
Enclosure acc. to EN 60529		IP67, optional IP68						
Ambient temperature	°C	-20 to +60						
Weight	kg	7	7	13	13	27	27	27
Operating time for 90°	s	36 - 72	9 - 18	60 - 120	16 - 32	36 - 72	70 - 140	70 - 140
Power supply	V	230 VAC 1~, 115 VAC 1~, 360...460 VAC 3~, 24 VAC/DC						
Duty cycle IEC 60034-1,8		S2 30 min, S4 50% ED - 1200 c/h						
Motor protection		Electronic motor current monitoring with safety cut-off						



Dimensions	A	B	C	D	E	F	G	H	I
PSQ-AMS103	263	161	128	104.5	263	158	216	86	125
PSQ-AMS203	355	228	194	122.5	305	186	277	96	200
PSQ-AMS503/703	416	240	198	171.5	416	235	328	111	200
PSQ-AMS1003	416	240	198	171.5	416	235	353	111	250

PS Automation GmbH Gesellschaft für Antriebstechnik

Philipp-Krämer-Ring 13 • D-67098 Bad Dürkheim
Tel.: +49 (0) 63 22-60 03-0 • Fax: +49 (0) 63 22-60 03-20
info@ps-automation.com • www.ps-automation.com

Engineered and Made in Germany

