

PSL

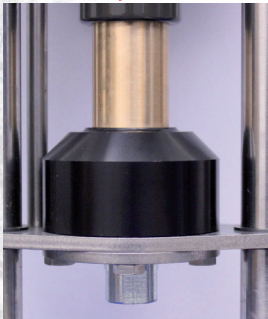
Model 4

Increased reliability, durability and improved installation convenience

Sturdy metal main frame
for mainboard and
accessories

**Positioners and
position transmitter still
retrofitable**

**Sustainable and
energy-efficient due to
material savings.
Optimized design at
remaining high durability
(PSL208-214)**

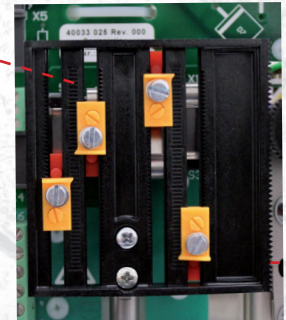


**Simple and safe
connection to the
valve stem**

Standard thread:
PSL 201–204 M12
PSL 208–214 M16

Other threads on request

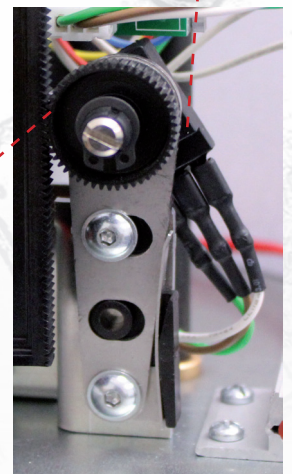
**Easier and safer
mounting due to
optimized design
and exact position
monitoring**



**broadend
potentiometer contact**

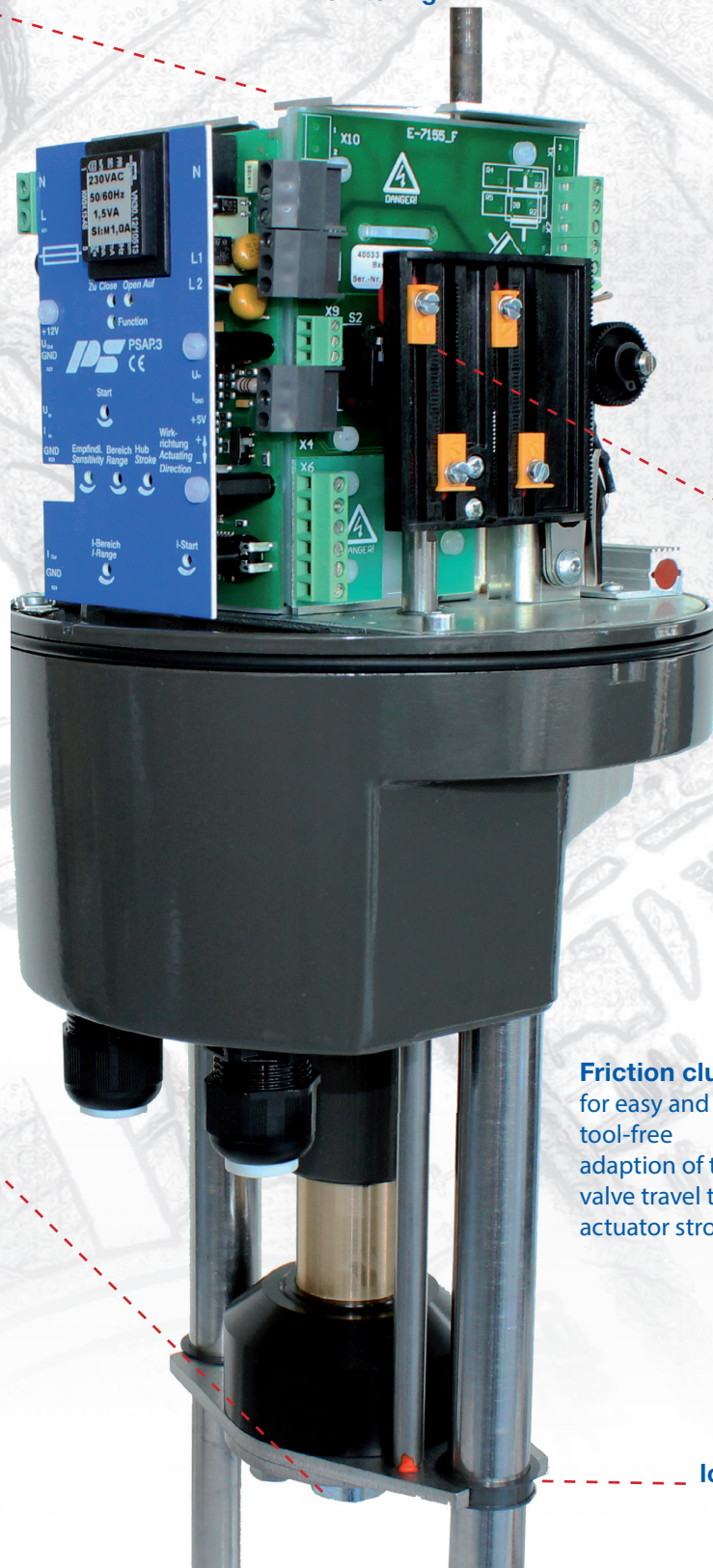
Precise valve setting

**Vibration-proof
potentiometer
suspension**



Friction clutch
for easy and
tool-free
adaption of the
valve travel to the
actuator stroke

low-wearing bearing bushes

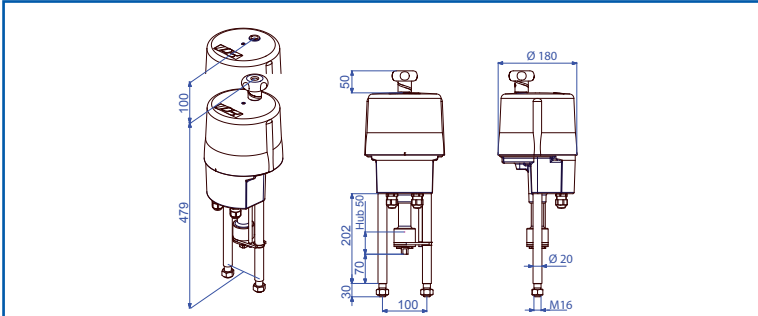


PSL

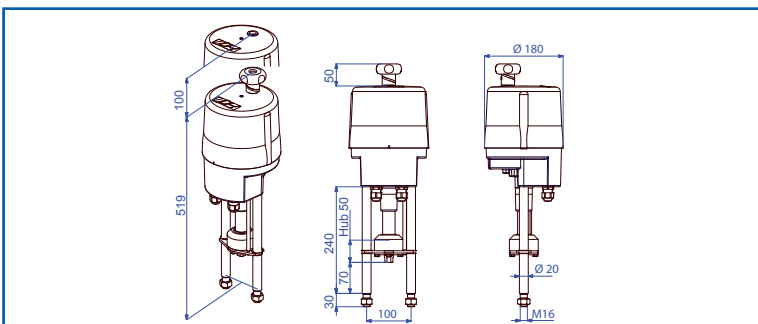
PS Automation 
Gesellschaft für Antriebstechnik

We care for actuation.

Model 4

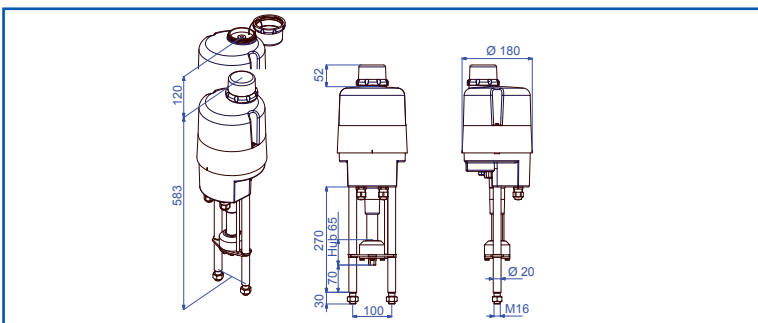


PSL 201-204	
Max. force	1 kN to 4,5 kN
Actuator speed	0,25 to 1,4 mm/s
Stroke	max. 50 mm

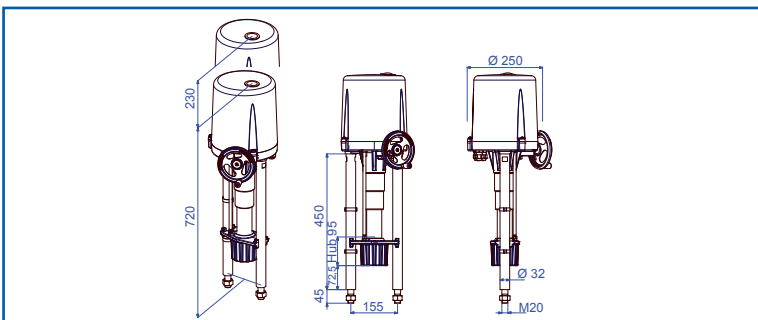


PSL 208-210	
Max. force	8 kN to 10 kN
Actuator speed	0,35 to 1,0 mm/s
Stroke	max. 50 mm*

**optionally 65 mm available*



PSL 214	
Max. force	14 kN
Actuator speed	0,45 mm/s
Stroke	max. 65 mm



PSL 320-325/330	
Max. force	20 kN to 30 kN
Actuator speed	1,0 mm/s
Stroke	max. 95 mm

PS Automation GmbH
Gesellschaft für Antriebstechnik

Philipp-Krämer-Ring 13 • D-67098 Bad Dürkheim
Tel.: +49 (0) 63 22-60 03-0 • Fax: +49 (0) 63 22-60 03-20
info@ps-automation.com • www.ps-automation.com

Engineered and Made in Germany

